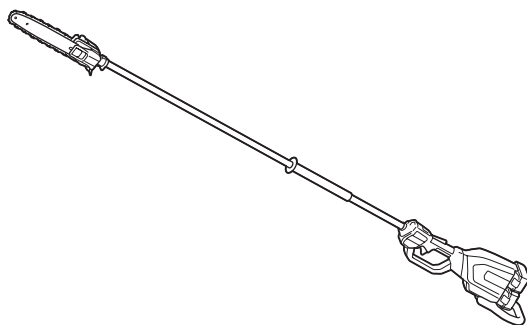


INSTRUCTION MANUAL
MANUEL D'INSTRUCTION
MANUAL DE INSTRUCCIONES



Cordless Pole Saw
Tronçonneuse d'élagage sur
perche sans fil
Sierra de Extensión Inalámbrica
DUA250



IMPORTANT: Read Before Using.

IMPORTANT : Lire avant usage.

IMPORTANTE: Lea antes de usar.

SPECIFICATIONS

Model:		DUA250
Overall length (without guide bar and attachment)		2,235 mm (88")
Rated voltage		D.C. 36 V
Net weight		6.1 - 7.3 kg (13.4 - 16.1 lbs)
Standard guide bar length		250 mm (10")
Recommended guide bar length	with 90PX	250 mm (10")
	with 91PX	250 mm (10")
Applicable saw chain type (refer to the table below)		90PX 91PX
Standard sprocket	Number of teeth	6
	Pitch	3/8"
Chain speed		0 - 20 m/s (0 - 1,200 m/min) (0 - 3,940 ft/min)
Chain oil tank volume		160 cm ³ (5.4 fl oz)

- Due to our continuing program of research and development, the specifications herein are subject to change without notice.
- Specifications may differ from country to country.
- The weight may differ depending on the attachment(s), including the battery cartridge. The lightest and heaviest combination, according to EPTA-Procedure 01/2014, are shown in the table.

Applicable battery cartridge and charger

Battery cartridge	BL1820B / BL1830 / BL1830B / BL1840B / BL1850B / BL1860B
Charger	DC18RC / DC18RD / DC18RE / DC18SD / DC18SE / DC18SF / DC18SH

- Some of the battery cartridges and chargers listed above may not be available depending on your region of residence.

⚠ WARNING: Only use the battery cartridges and chargers listed above. Use of any other battery cartridges and chargers may cause injury and/or fire.

Recommended cord connected power source

Portable power pack	PDC01 / PDC1200
---------------------	-----------------

- The cord connected power source(s) listed above may not be available depending on your region of residence.
- Before using the cord connected power source, read instruction and cautionary markings on them.

Saw chain, guide bar, and sprocket combination

Saw chain type		90PX
Number of drive links		40
Guide bar	Guide bar length	250 mm (10")
	Cutting length	240 mm (9-1/2")
	Pitch	3/8"
	Gauge	1.1 mm (0.043")
	Type	Sprocket nose bar
Sprocket	Number of teeth	6
	Pitch	3/8"

Saw chain type		91PX
Number of drive links		40
Guide bar	Guide bar length	250 mm (10")
	Cutting length	240 mm (9-1/2")
	Pitch	3/8"
	Gauge	1.3 mm (0.050")
	Type	Sprocket nose bar
Sprocket	Number of teeth	6
	Pitch	3/8"

⚠ WARNING: Use appropriate combination of the guide bar and saw chain. Otherwise personal injury may result.

SAFETY WARNINGS

Important safety instructions

⚠ WARNING: Do not operate near electrical power lines. The unit has not been designed to provide protection from electric shock in the event of contact with overhead electric lines, Consult local regulations for safe distances from overhead electric power lines and ensure that the operating position is safe and secure before operating the saw chain pole pruner.

⚠ WARNING: When using electric gardening appliances, basic safety precautions should always be followed to reduce the risk of fire, electric shock, and personal injury, including the following:

READ ALL INSTRUCTIONS.

1. **Avoid Dangerous Environment** - Do not use appliances in damp or wet locations.
2. **Don't Use In Rain.**

3. **Keep Children Away** - All visitors should be kept at a distance from work area.
4. **Dress Properly** - Do not wear loose clothing or jewelry. They can be caught in moving parts. Use of rubber gloves and substantial footwear is recommended when working outdoors. Wear protective hair covering to contain long hair.
5. **Use Safety Glasses** - Always use face or dust mask if operation is dusty.
6. **Use Right Appliance** - Do not use appliance for any job except that for which it is intended.
7. **Avoid Unintentional Starting** - Do not carry appliance with finger on switch. Be sure switch is off before inserting battery pack.
8. **Do not grasp the exposed cutting blades or cutting edges when picking up or holding the appliance.**
9. **Do not Force Appliance** - It will do the job better and with less likelihood of a risk of injury at the rate for which it was designed.
10. **Do not Overreach** - Keep proper footing and balance at all times.
11. **Stay Alert** - Watch what you are doing. Use common sense. Do not operate appliance when you are tired.

12. **Store Idle Appliances Indoors** - When not in use, appliances should be stored indoors in dry, and high or locked-up place out of reach of children.
 13. **Maintain Appliance With Care** - Keep cutting edge sharp and clean for best performance and to reduce the risk of injury. Follow instructions for lubricating and changing accessories. Keep handles dry, clean, and free from oil and grease.
 14. **Check Damaged Parts** - Before further use of the appliance, a guard or other part that is damaged should be carefully checked to determine that it will operate properly and perform its intended function. Check for alignment of moving parts, binding of moving parts, breakage of parts, mounting, and any other condition that may affect its operation. A guard or other part that is damaged should be properly repaired or replaced by an authorized service center unless indicated elsewhere in this manual.
 15. **Keep all parts of the body away from the saw chain. Do not remove cut material or hold material to be cut when blades are moving. Make sure the switch is off when clearing jammed material.** Saw chain continues to move after the switch is turned off. A moment of inattention while operating the extended-reach pruner may result in serious personal injury.
 16. **Carry the pole pruner by the handle with the saw chain stopped. When transporting or storing the pole pruner, always fit the saw chain device cover.** Proper handling of the pole pruner will reduce possible personal injury from the saw chain.
 17. **Hold the pole pruner by insulated gripping surfaces only, because the saw chain may contact hidden wiring.** A saw chain contacting a "live" wire may make exposed metal parts of the pole pruner "live" and could give the operator an electric shock.
 18. **Do not use the pole pruner in bad weather conditions, especially when there is a risk of lightning.** This decreases the risk of being struck by lightning.
 19. **To reduce the risk of electrocution, never use near any electrical power lines.** Contact with or use near power lines may cause serious injury or electric shock resulting in death.
 20. **Always use two hands when operating the pole pruner. Hold the pole pruner with both hands to avoid loss of control.**
 21. **Always use head protection when operating the pole pruner overhead.** Falling debris can result in serious personal injury.
 22. **When replacing batteries, all batteries should be replaced at the same time in case the tool employs more than one battery.** Mixing fresh and discharged batteries could increase internal cell pressure and rupture the discharge battery(ies).
 23. **Remove or disconnect battery before servicing, cleaning or removing material from the appliance.** Such preventive safety measures reduce the risk of starting the appliance accidentally.
 24. **Use only the battery(ies) listed in "SPECIFICATIONS".** Use of any other batteries may create a risk of fire.
 25. **Exercise care in handling batteries in order not to short the battery with conducting materials such as rings, bracelets, and keys.** The battery or conductor may overheat and cause burns.
 26. **A battery operated appliance with integral batteries or a separate battery pack must be recharged only with the specified charger for the battery.** A charger that may be suitable for one type of battery may create a risk of fire when used with another battery.
 27. **Remove adjusting keys or wrenches before turning the appliance on.** A wrench or a key that is left attached to a rotating part of the appliance may result in personal injury.
 28. **When battery pack is not in use, keep it away from other metal objects like: paper clips, coins, keys, nails, screws, or other small metal objects that can make a connection from one terminal to another.** Shorting the battery terminals together may cause sparks, burns, or a fire.
 29. **Under abusive conditions, liquid may be ejected from the battery; avoid contact. If contact accidentally occurs, flush with water. If liquid contacts eyes, additionally seek medical help.** Liquid ejected from the battery may cause irritation or burns.
 30. **Use only accessories that are recommended by the manufacturer for your model.** Accessories that may be suitable for one appliance may create a risk of injury when used on another appliance.
 31. **Appliance service must be performed only by qualified repair personnel.** Service or maintenance performed by unqualified personnel may result in a risk of injury.
 32. **When servicing an appliance, use only identical replacement parts. Follow instructions in the Maintenance section of this manual.** Use of unauthorized parts or failure to follow Maintenance instructions may create a risk of shock or injury.
 33. **This appliance is not intended for use by persons (including children) with reduced physical, sensory or mental capabilities, or lack of experience and knowledge. Children should be supervised to ensure that they do not play with the appliance.**
 34. **Do not operate appliances in explosive atmospheres, such as in the presence of flammable liquids, gases, or dust.** Appliances create sparks which may ignite the dust or fumes.
- General precautions**
1. Before starting the tool, read this instruction manual to become familiar with the handling of the tool.
 2. Do not lend the tool to a person with insufficient experience or knowledge regarding handling of the tool.
 3. When lending the tool, always attach this instruction manual.
 4. Do not allow children or young persons under 18 years old to use the tool. Keep them away from the tool.
 5. Handle the tool with the utmost care and attention.
 6. Never use the tool after consuming alcohol or drugs, or if feeling tired or ill.
 7. Never attempt to modify the tool.
 8. Do not use the tool in bad weather conditions, especially when there is a risk of lightning. This decreases the risk of being struck by lightning.
 9. National regulations may restrict of the use of the tool. Follow the regulations about handling of the tool in your country.

Personal protective equipment

1. **Wear safety helmet, protective goggles and protective gloves to protect yourself from flying debris or falling objects.**
2. **Wear ear protection such as ear muffs to prevent hearing loss.**
3. **Wear proper clothing and shoes for safe operation, such as a work overall and sturdy, non-slip shoes. Do not wear loose clothing or jewelry.** Loose clothes, jewelry or long hair can be caught in moving parts.
4. **When handling the saw chain or adjusting the chain tension, wear protective gloves.** Saw chain can cut bare hands severely.

Work area safety

1. **Keep the tool at least 15 m (50 ft) away from electric lines and communication cables (including any branches contacting them). Touching or approaching high-voltage lines with the tool can result in death or serious injury. Watch power lines and electrical fences around the work area before starting operation.**
2. **Operate the tool under good visibility and daylight conditions only. Do not operate the tool in darkness or fog.**
3. **During operation, never stand on an unstable or slippery surface or a steep slope. During the cold season, beware of ice and snow and always ensure secure footing.**
4. **During operation, keep bystanders or animals at least 15 m (50 ft) away from the tool. Stop the tool as soon as someone approaches.**
5. **When working with two or more people, keep a distance of at least 15 m (50 ft) or more between each other, and put a supervisor.**
6. **Before operation, examine the work area for wire fences, walls, or other solid objects. They can damage the saw chain.**

Preparation

1. **Before assembling or adjusting the tool, switch off the tool and remove the battery cartridge.**
2. **Before handling the saw chain or adjusting the chain tension, wear protective gloves.**
3. **Before starting the tool, inspect the tool for damages, loose screws/nuts or improper assembly. Sharpen blunt saw chain. If the saw chain is bent or damaged, replace it. Check all control levers and switches for easy action. Clean and dry the grips.**
4. **Never attempt to start the tool if the tool is damaged or not fully assembled. Otherwise serious injury may result.**
5. **Adjust the shoulder harness to suit the operator's body size.**
6. **Adjust the chain tension properly. Refill the chain oil, if necessary.**

Starting the tool

1. **Wear the personal protective equipments before starting the tool.**
2. **Before starting the tool, make sure that there is no person or animal in the work area.**

3. **When installing the battery cartridge, keep the saw chain and guide bar clear of your body and other object, including the ground.** The saw chain may move when starting and may cause serious injury or damage to the saw chain and/or property.
4. **Place the tool on firm ground. Maintain good balance and secure footing.**

Operation

1. **In the event of an emergency, switch off the tool immediately.**
2. **If you notice any unusual condition (e.g. noise, vibration) during operation, switch off the tool. Do not use the tool until the cause is recognized and solved.**
3. **The saw chain continues to move for a short period after switching off the tool. Don't rush to contact the saw chain.**
4. **During operation, use the shoulder harness. Keep the tool on your right side firmly.**
5. **Hold the front grip with your left hand and the rear grip with your right hand, no matter you are right-hander or left-hander. Wrap your fingers and thumbs around the grips.**
6. **Hold the tool by insulated gripping surfaces only, because the saw chain may contact hidden wiring. A saw chain contacting a "live" wire may make exposed metal parts of the extended-reach pruner "live" and could give the operator an electric shock.**
7. **Never attempt to operate the tool with one hand. Loss of control may result in serious or fatal injury. To reduce the risk of injury, keep your hands and feet away from the saw chain.**
8. **Do not overreach. Keep proper footing and balance at all times. Watch for hidden obstacles such as tree stumps, roots and ditches to avoid stumbling. Clear fallen branches and other objects away.**
9. **Never work on a ladder or tree to avoid loss of control.**
10. **If the tool gets heavy impact or fall, check the condition before continuing work. If there is any damage or doubt, ask Makita authorized service center for the inspection and repair.**
11. **Do not touch the head of the tool.** The head of the tool becomes hot during operation.
12. **Take a rest to prevent loss of control caused by fatigue.** We recommend to take a 10 to 20-minute rest every hour.
13. **When you leave the tool, even if it is a short time, always switch off the tool and remove the battery cartridge.** The running and unattended tool may be used by unauthorized person and cause serious accident.
14. **When operating the tool, do not raise your right hand above your shoulder height.**
15. **During operation, never hit the saw chain against hard obstacles such stones and nails. Take particular care when cutting branches next to walls, wire fences or the like.**
16. **If branches get caught in the tool, always stop the tool and remove the battery cartridge.** Otherwise unintentional start may cause serious injury.

17. If the saw chain becomes clogged, always switch off the tool and remove the battery cartridge before cleaning.
18. Accelerating the tool with the saw chain blocked increases the load and will damage the tool.
19. Before cutting limbs, keep an escape area away from the falling limb. First, clear obstructs such as limbs and branches from the work area. Move all tools and goods from the escape area to another safe place.
20. Before cutting branches and limbs, check the falling direction of them, considering the condition of branches and limbs, adjoining trees, wind direction, etc. Pay full attention to the falling direction, and the rebound of the branch, which hit the ground.
21. Never hold the tool at an angle of more than 60°. Otherwise falling objects can hit the operator and cause serious injury. Never stand underneath the limb being cut.
22. Pay attention to broken or bent branches. They may bounce back in cutting, causing unexpected injury.
23. Before cutting limbs that you intend to cut, remove branches and leaves around them. Otherwise the saw chain may be caught by them.
24. To prevent the saw chain from being caught in the kerf, do not release the lever before pulling the saw chain out of the kerf.
25. If the saw chain is bound in the kerf, immediately stop the tool, carefully move the branch to open the kerf and release the saw chain.
26. Avoid kickback (rotational reactive force towards the operator). To prevent kickback, never use the guide bar nose or perform a penetrating cut. Always beware of the position of the guide bar nose.
27. Check the chain tension frequently. When checking or adjusting the chain tension, switch off the tool and remove the battery cartridge. If the tension is loose, tighten it.

Transport

1. Before transporting the tool, switch off the tool and remove the battery cartridge. Always fit the guide bar cover during transportation.
2. When transporting the tool, carry it in a horizontal position by holding the grip.

Maintenance

1. Have your equipment serviced by our authorized service center, always using only genuine replacement parts. Incorrect repair and poor maintenance can shorten the life of the tool and increase the risk of accidents.
2. Before doing any maintenance or repair work or cleaning the tool, always switch off the tool and remove the battery cartridge. Wait until the tool cools down.
3. Always wear protective gloves when handling the saw chain.
4. After each use, tighten all screws and nuts, except for adjustment screws.

5. Keep the saw chain sharp. If the saw chain has become blunt and cutting performance is poor, ask Makita authorized service center to sharpen it or replace it with new one.
6. Do not attempt any maintenance or repair not described in this instruction manual. Ask Makita authorized service center for such work.
7. Always use Makita genuine spare parts and accessories only. Using parts or accessories supplied by a third party may result in the tool breakdown, property damage and/or serious injury.

Battery tool use and care

1. Prevent unintentional starting. Ensure the switch is in the off-position before connecting to battery pack, picking up or carrying the machine. Carrying the machine with your finger on the switch or energizing machine that have the switch on invites accidents.
2. Disconnect the battery pack from the machine before making any adjustments, changing accessories, or storing machine. Such preventive safety measures reduce the risk of starting the machine accidentally.
3. Recharge only with the charger specified by the manufacturer. A charger that is suitable for one type of battery pack may create a risk of fire when used with another battery pack.
4. Use machines only with specifically designated battery packs. Use of any other battery packs may create a risk of injury and fire.
5. When battery pack is not in use, keep it away from other metal objects, like paper clips, coins, keys, nails, screws or other small metal objects, that can make a connection from one terminal to another. Shorting the battery terminals together may cause burns or a fire.
6. Under abusive conditions, liquid may be ejected from the battery; avoid contact. If contact accidentally occurs, flush with water. If liquid contacts eyes, seek medical help. Liquid ejected from the battery may cause irritation or burns.
7. Do not use a battery pack or machine that is damaged or modified. Damaged or modified batteries may exhibit unpredictable behaviour resulting in fire, explosion or risk of injury.
8. Do not expose a battery pack or machine to fire or excessive temperature. Exposure to fire or temperature above 130°C (265°F) may cause explosion.
9. Follow all charging instructions and do not charge the battery pack or machine outside of the temperature range specified in the instructions. Charging improperly or at temperatures outside of the specified range may damage the battery and increase the risk of fire.
10. Have servicing performed by a qualified repair person using only identical replacement parts. This will ensure that the safety of the product is maintained.
11. Do not modify or attempt to repair the machine or the battery pack except as indicated in the instructions for use and care.

Electrical and battery safety

1. **Do not dispose of the battery(ies) in a fire.**
The cell may explode. Check with local codes for possible special disposal instructions.
2. **Do not open or mutilate the battery(ies).**
Released electrolyte is corrosive and may cause damage to the eyes or skin. It may be toxic if swallowed.
3. **Do not charge battery in rain, or in wet locations.**
4. **Do not charge the battery outdoors.**
5. **Do not handle charger, including charger plug, and charger terminals with wet hands.**
6. **Avoid dangerous environment. Don't use the tool in dump or wet locations or expose it to rain.** Water entering the tool will increase the risk of electric shock.






Storage

1. **Before storing the tool, perform full cleaning and maintenance. Fit the guide bar cover. Remove the battery cartridge. Drain the chain oil after the tool cools down.**
2. **Store the tool in a dry and high or locked location out of reach of children.**
3. **Do not prop the tool against something, such as a wall.** Otherwise it may fall suddenly and cause an injury.

SAVE THESE INSTRUCTIONS.

Symbols

The followings show the symbols used for tool.

v	volts
	direct current
m/s	meter per second
ft/min	feet per minute
	parts number of applicable saw chain and guide bar
	Direction of chain travel
	Chain oil tank
	Hot surfaces - Burns to fingers or hands.

Important safety instructions for battery cartridge

1. **Before using battery cartridge, read all instructions and cautionary markings on (1) battery charger, (2) battery, and (3) product using battery.**
2. **Do not disassemble or tamper with the battery cartridge.** It may result in a fire, excessive heat, or explosion.

3. **If operating time has become excessively shorter, stop operating immediately. It may result in a risk of overheating, possible burns and even an explosion.**
4. **If electrolyte gets into your eyes, rinse them out with clear water and seek medical attention right away. It may result in loss of your eyesight.**
5. **Do not short the battery cartridge:**
 - (1) **Do not touch the terminals with any conductive material.**
 - (2) **Avoid storing battery cartridge in a container with other metal objects such as nails, coins, etc.**
 - (3) **Do not expose battery cartridge to water or rain.**

A battery short can cause a large current flow, overheating, possible burns and even a breakdown.

6. **Do not store and use the tool and battery cartridge in locations where the temperature may reach or exceed 50 °C (122 °F).**
7. **Do not incinerate the battery cartridge even if it is severely damaged or is completely worn out. The battery cartridge can explode in a fire.**
8. **Do not nail, cut, crush, throw, drop the battery cartridge, or hit against a hard object to the battery cartridge.** Such conduct may result in a fire, excessive heat, or explosion.
9. **Do not use a damaged battery.**
10. **The contained lithium-ion batteries are subject to the Dangerous Goods Legislation requirements.** For commercial transports e.g. by third parties, forwarding agents, special requirement on packaging and labeling must be observed. For preparation of the item being shipped, consulting an expert for hazardous material is required. Please also observe possibly more detailed national regulations. Tape or mask off open contacts and pack up the battery in such a manner that it cannot move around in the packaging.
11. **When disposing the battery cartridge, remove it from the tool and dispose of it in a safe place. Follow your local regulations relating to disposal of battery.**
12. **Use the batteries only with the products specified by Makita.** Installing the batteries to non-compliant products may result in a fire, excessive heat, explosion, or leak of electrolyte.
13. **If the tool is not used for a long period of time, the battery must be removed from the tool.**
14. **During and after use, the battery cartridge may take on heat which can cause burns or low temperature burns. Pay attention to the handling of hot battery cartridges.**
15. **Do not touch the terminal of the tool immediately after use as it may get hot enough to cause burns.**
16. **Do not allow chips, dust, or soil stuck into the terminals, holes, and grooves of the battery cartridge.** It may cause heating, catching fire, burst and malfunction of the tool or battery cartridge, resulting in burns or personal injury.

17. Unless the tool supports the use near high-voltage electrical power lines, do not use the battery cartridge near high-voltage electrical power lines. It may result in a malfunction or breakdown of the tool or battery cartridge.
18. Keep the battery away from children.

SAVE THESE INSTRUCTIONS.

⚠ CAUTION: Only use genuine Makita batteries. Use of non-genuine Makita batteries, or batteries that have been altered, may result in the battery bursting causing fires, personal injury and damage. It will also void the Makita warranty for the Makita tool and charger.

Tips for maintaining maximum battery life

1. Charge the battery cartridge before completely discharged. Always stop tool operation and charge the battery cartridge when you notice less tool power.
2. Never recharge a fully charged battery cartridge. Overcharging shortens the battery service life.
3. Charge the battery cartridge with room temperature at 10 °C - 40 °C (50 °F - 104 °F). Let a hot battery cartridge cool down before charging it.
4. When not using the battery cartridge, remove it from the tool or the charger.
5. Charge the battery cartridge if you do not use it for a long period (more than six months).

PARTS DESCRIPTION

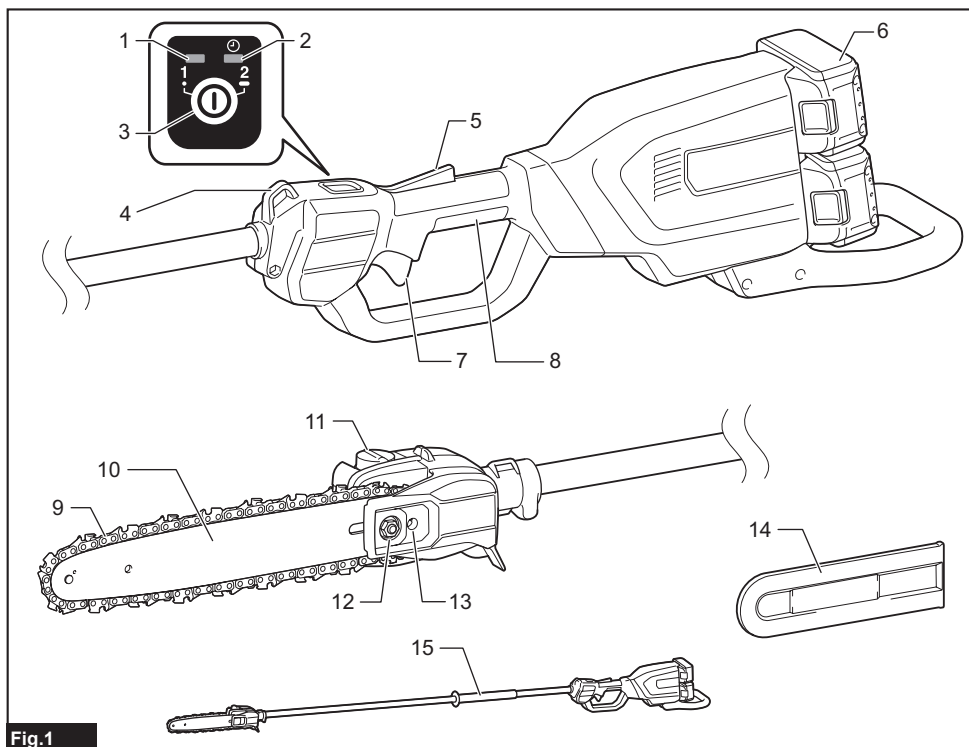


Fig.1

1	Main power lamp	2	Mode indicator	3	Main power switch
4	Hanger	5	Lock-off lever	6	Battery cartridge
7	Switch trigger	8	Rear grip	9	Saw chain
10	Guide bar	11	Oil tank cap	12	Retaining nut
13	Chain adjusting screw	14	Guide bar cover	15	Front grip

FUNCTIONAL DESCRIPTION

CAUTION: Always be sure that the tool is switched off and the battery cartridge is removed before adjusting or checking function on the tool.

Installing or removing battery cartridge

CAUTION: Always switch off the tool before installing or removing of the battery cartridge.

CAUTION: Hold the tool and the battery cartridge firmly when installing or removing battery cartridge. Failure to hold the tool and the battery cartridge firmly may cause them to slip off your hands and result in damage to the tool and battery cartridge and a personal injury.

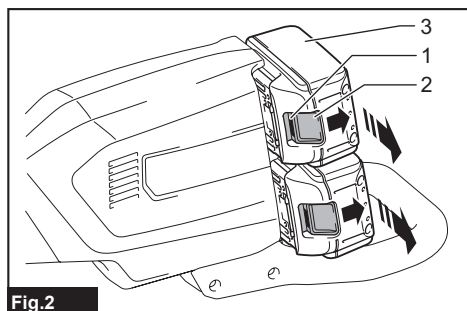


Fig.2

► 1. Red indicator 2. Button 3. Battery cartridge

To remove the battery cartridge, slide it from the tool while sliding the button on the front of the cartridge.

To install the battery cartridge, align the tongue on the battery cartridge with the groove in the housing and slip it into place. Insert it all the way until it locks in place with a little click. If you can see the red indicator as shown in the figure, it is not locked completely.

CAUTION: Always install the battery cartridge fully until the red indicator cannot be seen. If not, it may accidentally fall out of the tool, causing injury to you or someone around you.

CAUTION: Do not install the battery cartridge forcibly. If the cartridge does not slide in easily, it is not being inserted correctly.

Indicating the remaining battery capacity

Only for battery cartridges with the indicator

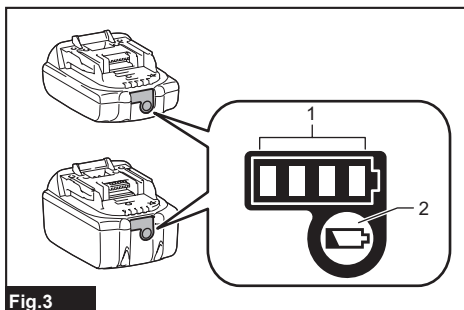


Fig.3

► 1. Indicator lamps 2. Check button

Press the check button on the battery cartridge to indicate the remaining battery capacity. The indicator lamps light up for a few seconds.

Indicator lamps			Remaining capacity
Lighted	Off	Blinking	
■ ■ ■ ■			75% to 100%
■ ■ ■ □			50% to 75%
■ ■ □ □			25% to 50%
■ □ □ □			0% to 25%
▣ □ □ □			Charge the battery.
■ ■ □ □			The battery may have malfunctioned.
□ □ ■ ■			

NOTE: Depending on the conditions of use and the ambient temperature, the indication may differ slightly from the actual capacity.

NOTE: The first (far left) indicator lamp will blink when the battery protection system works.

Tool / battery protection system

The tool is equipped with a tool/battery protection system. This system automatically cuts off power to the motor to extend tool and battery life. The tool will automatically stop during operation if the tool or battery is placed under one of the following conditions:

Overload protection

When the battery is operated in a manner that causes it to draw an abnormally high current, the tool automatically stops and the main power lamp blinks in green. In this situation, turn the tool off and stop the application that caused the tool to become overloaded. Then turn the tool on to restart.

Overheat protection

When the tool or battery is overheated, the tool stops automatically and the main power lamp lights up in red. In this case, let the tool and battery cool before turning the tool on again.

NOTE: In high temperature environment, the over-heat protection likely to work and the tool stops automatically.

Overdischarge protection

When the battery capacity is not enough, the tool stops automatically and the main power lamp blinks in red. In this case, remove the battery from the tool and charge the battery.

Main power switch

⚠ WARNING: Always turn off the main power switch when not in use.

To turn on the tool, press the main power switch until the main power lamp lights up in green. To turn off, press the main power switch again.

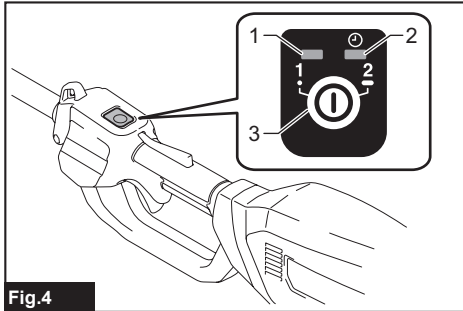


Fig.4

► 1. Main power lamp 2. Mode indicator 3. Main power switch

NOTE: The main power lamp blinks in green when you turn on the main power switch while holding down the lock-off lever and pulling the switch trigger. In this case, release the switch trigger and the lock-off lever, and then turn on the main power switch.

NOTE: This tool employs the auto power-off function. To avoid unintentional start up, the main power switch will automatically shut down when the switch trigger is not pulled for a certain period after the main power switch is turned on.

You can use the tool in the Torque Boost mode for cutting thick branches or hard branches. To use the tool in the Torque Boost mode, when the tool is turned off, press the main power switch for a few seconds until the mode indicator lights up in green.

NOTE: You can use the tool in the Torque Boost mode up to 60 seconds. Depending on the usage conditions, this mode shifts to the normal mode in less than 60 seconds.

NOTE: If the mode indicator blinks in green when you press the main power switch for a few seconds, the Torque Boost mode is not available. In this case, follow the steps below.

- The Torque Boost mode is not available right after the cutting operation. Wait for more than 10 seconds, and then press the main power switch for a few seconds again.
- If you use the Torque Boost mode several times, the use of the Torque Boost mode is restricted to protect the battery. If the Torque Boost mode is not available after waiting for more than 10 seconds, replace the battery cartridge with a fully charged one, or recharge the battery cartridge.

NOTE: If the main power lamp lights up in red or blinks in red or green, refer to the instructions for tool/battery protection system.

Switch action

⚠ WARNING: For your safety, this tool is equipped with lock-off lever which prevents the tool from unintended starting. **NEVER** use the tool if it runs when you simply pull the switch trigger without pressing the lock-off lever. Return the tool to our authorized service center for proper repairs **BEFORE** further usage.

⚠ WARNING: **NEVER** tape down or defeat purpose and function of lock-off lever.

⚠ CAUTION: Before installing the battery cartridge into the tool, always check to see that the switch trigger actuates properly and returns to the "OFF" position when released.

NOTICE: Do not pull the switch trigger hard without pressing the lock-off lever. This can cause switch breakage.

To prevent the switch trigger from being accidentally pulled, a lock-off lever is provided. To start the tool, depress the lock-off lever and pull the switch trigger. The tool speed increases by increasing pressure on the switch trigger. Release the switch trigger to stop.

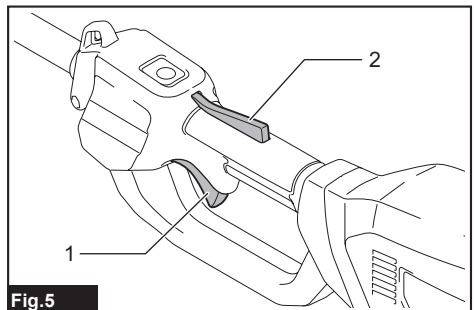


Fig.5

► 1. Switch trigger 2. Lock-off lever

Electronic function

The tool is equipped with the electronic functions for easy operation.

- Constant speed control
The speed control function provides the constant rotation speed regardless of load conditions.
- Electric brake
This tool is equipped with an electric brake. If the tool consistently fails to quickly stop after the switch trigger is released, have the tool serviced at a Makita service center.

ASSEMBLY

⚠ CAUTION: Always be sure that the tool is switched off and the battery cartridge is removed before carrying out any work on the tool.

⚠ CAUTION: Do not touch the saw chain with bare hands. Always wear gloves when handling the saw chain.

Removing or installing saw chain

⚠ CAUTION: The saw chain and the guide bar are still hot just after the operation. Let them cool down enough before carrying out any work on the tool.

⚠ CAUTION: Carry out the procedure of installing or removing saw chain in a clean place free from sawdust and the like.

To remove the saw chain, perform the following steps:

1. Loosen the chain adjusting screw, then the retaining nut.

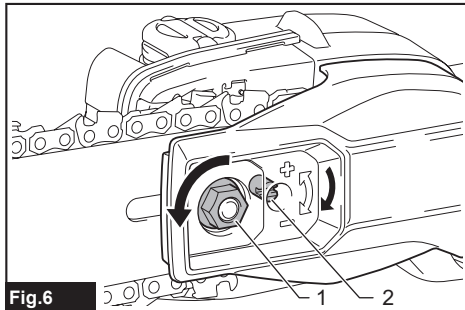


Fig.6

- ▶ 1. Retaining nut 2. Chain adjusting screw

2. Remove the sprocket cover, and then remove the saw chain and guide bar from the tool body.

To install the saw chain, perform the following steps:

1. Check the direction of the saw chain. Match the direction of the saw chain with that of the mark on the tool body.
2. Fit one end of the saw chain on the top of the guide bar. Fit the other end of the saw chain around the sprocket. Make sure that the saw chain is properly fitted on the sprocket and properly fitted in the groove of the guide bar.

3. Attach the guide bar to the tool body, aligning the hole on the guide bar with the pin on the tool body.

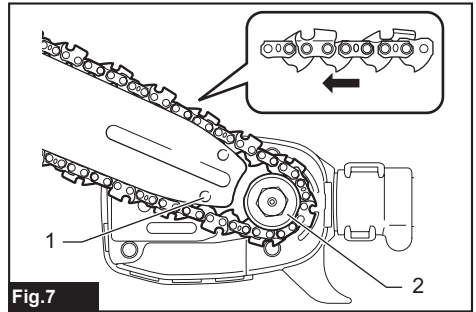


Fig.7

- ▶ 1. Hole 2. Sprocket

4. Insert the protrusion on the sprocket cover to the tool body, and then close the cover so that the bolt and pin on the tool body meet their counterparts on the cover.

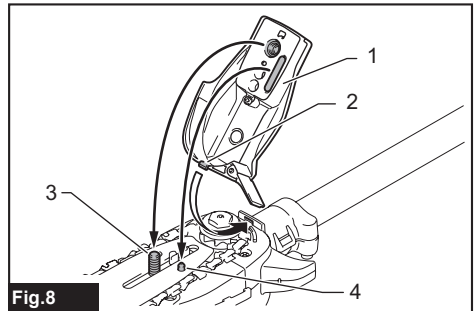


Fig.8

- ▶ 1. Sprocket cover 2. Protrusion 3. Bolt 4. Pin

5. Tighten the retaining nut to secure the sprocket cover, then loosen it a bit for tension adjustment.

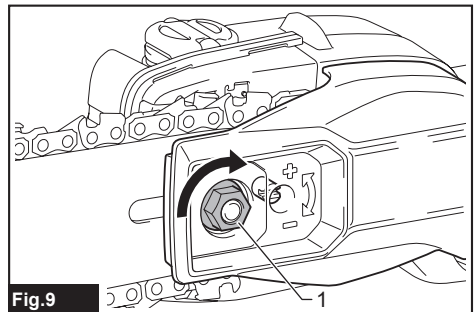


Fig.9

- ▶ 1. Retaining nut

Adjusting saw chain tension

⚠ CAUTION: Do not tighten the saw chain too much. Excessively high tension of saw chain may cause breakage of saw chain and wear of the guide bar.

⚠ CAUTION: A chain which is too loose can jump off the bar and it may cause an injury accident.

The saw chain may become loose after many hours of use. From time to time check the saw chain tension before use.

1. Loosen the retaining nut a bit to loosen the sprocket cover lightly.

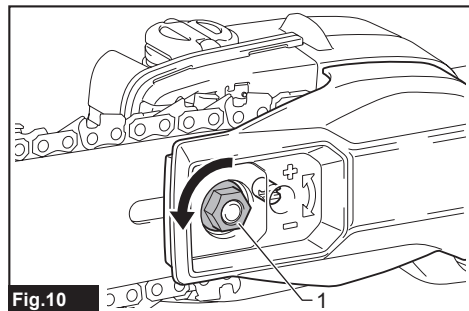


Fig.10

- 1. Retaining nut

2. Lift up the guide bar tip slightly and adjust the chain tension. Turn the chain adjusting screw counter-clockwise to tighten, turn it clockwise to loosen.

Tighten the saw chain until the lower side of the saw chain fits in the guide bar rail as illustrated.

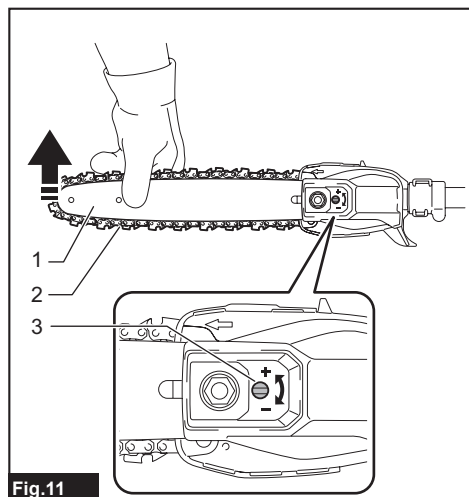


Fig.11

- 1. Guide bar 2. Saw chain 3. Chain adjusting screw

3. Keep holding the guide bar lightly and attach the sprocket cover.

Make sure that the saw chain does not loose at the lower side.

4. Tighten the retaining nut to secure the sprocket cover.

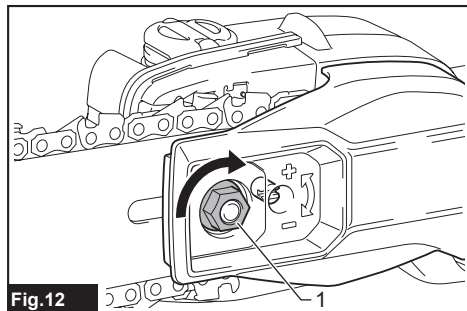


Fig.12

- 1. Retaining nut

Installing or removing the angled attachment

Optional accessory

⚠ CAUTION: Before installing or removing the angled attachment, be sure to attach the guide bar cover to the tool.

You can change the angle of the tool head by attaching the angled attachment to the tool.

1. Attach the guide bar cover to the tool.
2. Loosen 2 bolts with the hex wrench, and then remove the pipe and sleeves from the head of the tool.

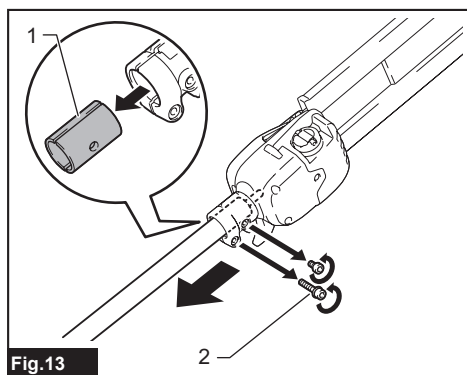


Fig.13

- 1. Sleeve 2. Bolt

3. Remove the caps from the angled attachment.

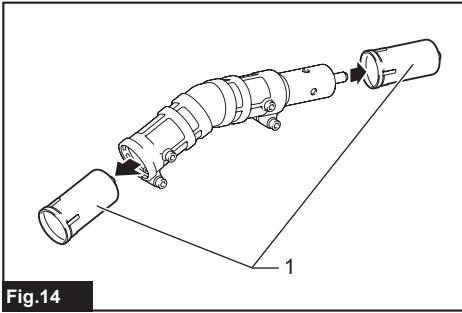


Fig.14

► 1. Cap

4. Align the hole on the sleeve with that on the pipe, and then attach 2 sleeves to the pipe. Align the hole on the sleeve with that on the attachment, and then insert the pipe into the attachment.

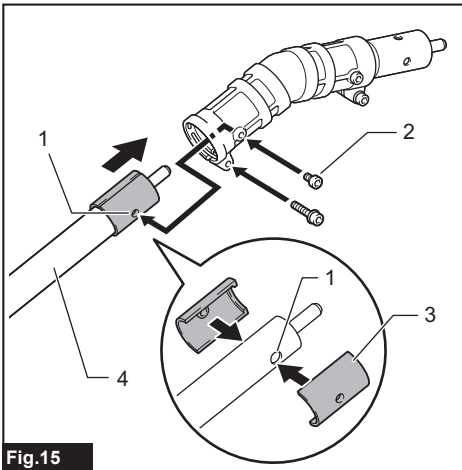


Fig.15

► 1. Hole 2. Bolt 3. Sleeve 4. Pipe

5. Tighten 2 bolts to fix the attachment.

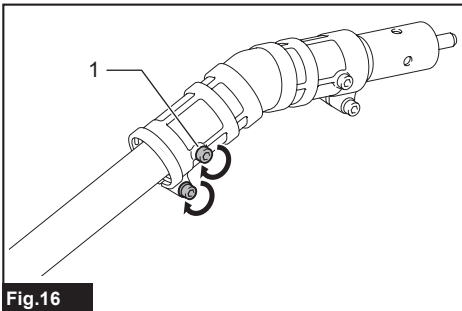


Fig.16

► 1. Bolt

6. Attach the head of the tool to the attachment.

To fix the head of the tool vertically, fix the attachment by tightening the bolt to the hole on the attachment shown in the figure, and then tighten the other bolt.

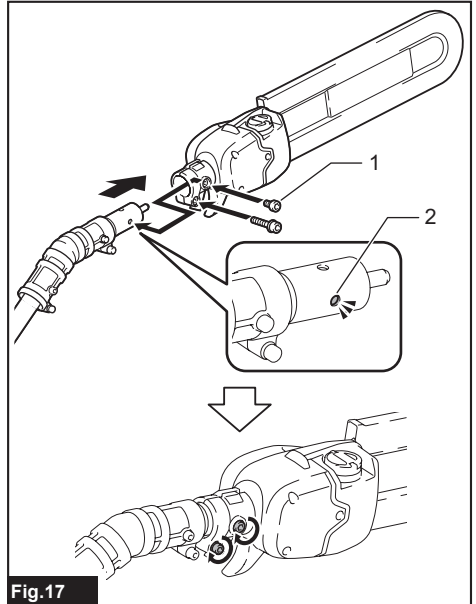


Fig.17

► 1. Bolt 2. Hole

To fix the head of the tool horizontally, fix the attachment by tightening the bolt to the hole on the attachment shown in the figure, and then tighten the other bolt.

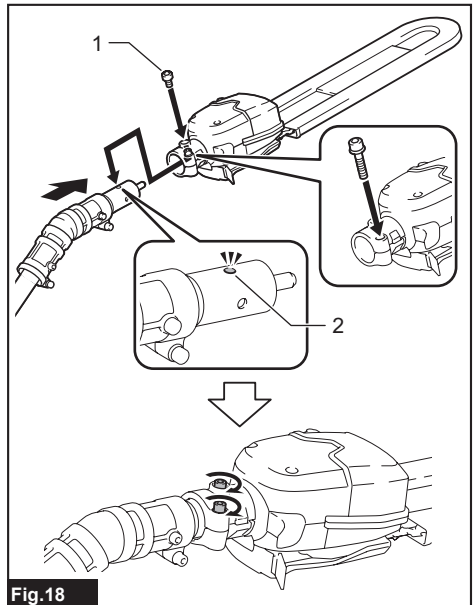


Fig.18

► 1. Bolt 2. Hole

To remove the angled attachment, perform the installation procedure in reverse.

OPERATION

Lubrication

NOTICE: When filling the chain oil for the first time, or refilling the tank after it has been completely emptied, add oil up to the bottom edge of the filler neck. The oil delivery may otherwise be impaired.

NOTICE: Use the saw chain oil exclusively for Makita chain saws or equivalent oil available in the market.

NOTICE: Never use oil including dust and particles or volatile oil.

NOTICE: When pruning trees, use botanical oil. Mineral oil may harm trees.

NOTICE: Before the cutting operation, make sure that the oil tank cap is tightened securely.

Saw chain is automatically lubricated when the tool is in operation. Check the amount of remaining oil in the oil tank periodically.

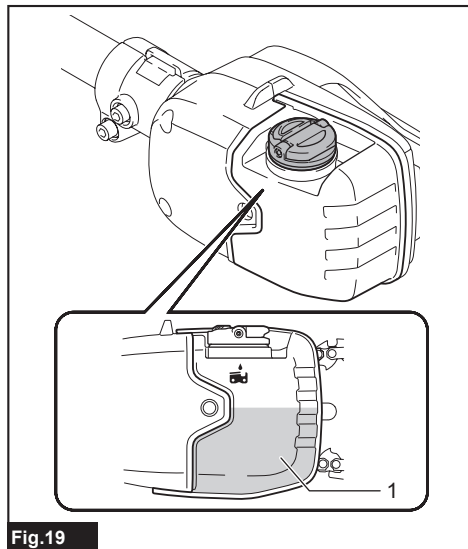


Fig.19

► 1. Oil tank

To refill the tank, place the tool on a flat surface, then push the button on the oil tank cap so that the button on the other side stands up, and then remove the oil tank cap by turning it.

The proper amount of oil is 160 ml (5.4 fl oz). After refilling the tank, make sure that the oil tank cap is tightened securely.

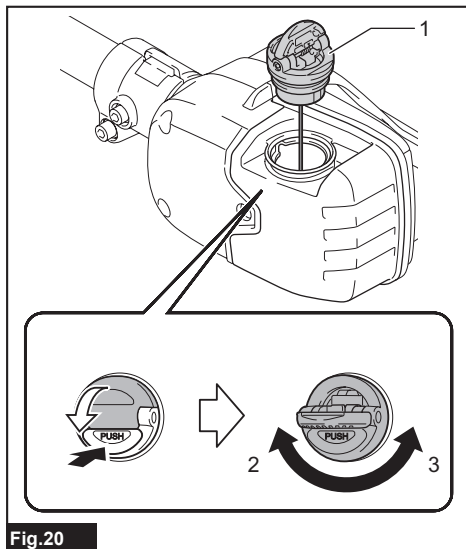


Fig.20

► 1. Oil tank cap 2. Tighten 3. Loosen

NOTE: If it is difficult to remove the oil tank cap, insert the box wrench into the slot of the oil tank cap, and then remove the oil tank cap by turning it counterclockwise.

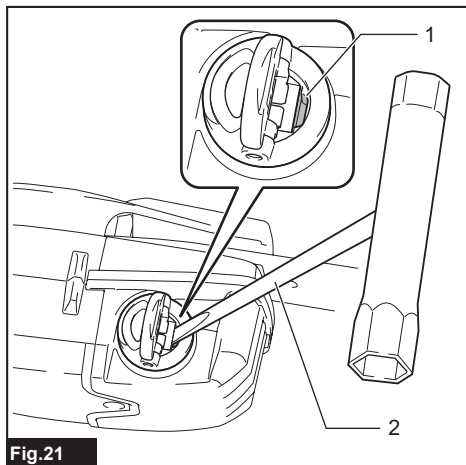


Fig.21

► 1. Slot 2. Box wrench

After refilling, hold the tool away from the tree. Start it and wait until lubrication on saw chain is adequate.

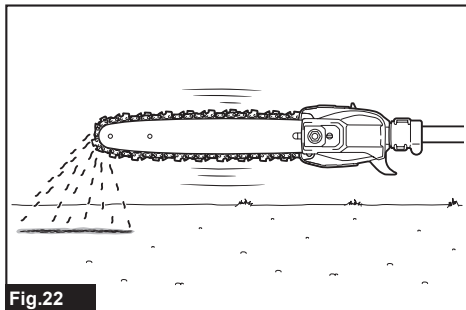


Fig. 22

Attaching the shoulder harness

CAUTION: When you use the tool in combination of the backpack-type power supply such as portable power pack, do not use the shoulder harness included in the tool package, but use the hanging band recommended by Makita.

If you put on the shoulder harness included in the tool package and the shoulder harness of the backpack-type power supply at the same time, removing the tool or backpack-type power supply is difficult in case of an emergency, and it may cause an accident or injury. For the recommended hanging band, ask Makita Authorized Service Centers.

CAUTION: Always use the shoulder harness attached to the tool. Before operation, adjust the shoulder harness according to the user size to prevent fatigue.

CAUTION: Before operation, make sure that the shoulder harness is properly attached to the hanger on the tool.

CAUTION: Before operation, make sure that the buckle of the shoulder harness is fastened firmly.

CAUTION: Always use the shoulder harness dedicated to this tool. Do not use other shoulder harnesses.

1. Put on the shoulder harness and fasten the buckle.

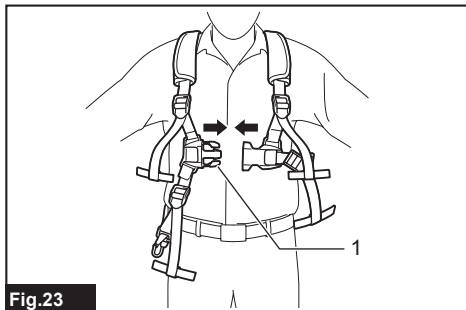


Fig. 23

1. Buckle

NOTE: When removing the shoulder harness, unlock the buckle and remove the shoulder harness.

2. Adjust the shoulder harness to a comfortable working position.

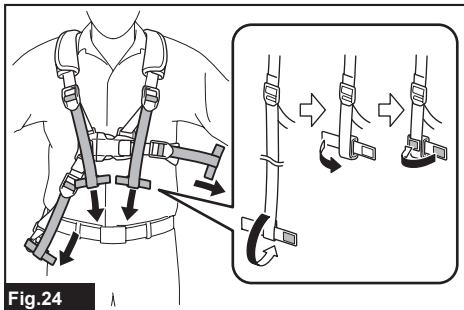


Fig. 24

3. Clasp the hook on the shoulder harness to tool's hanger.

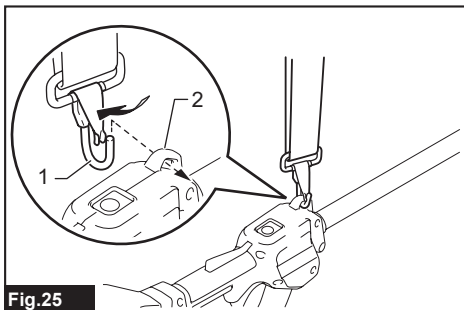


Fig. 25

1. Hook 2. Hanger

The shoulder harness features a means of quick release. Simply squeeze the sides of the buckle to release the shoulder harness.

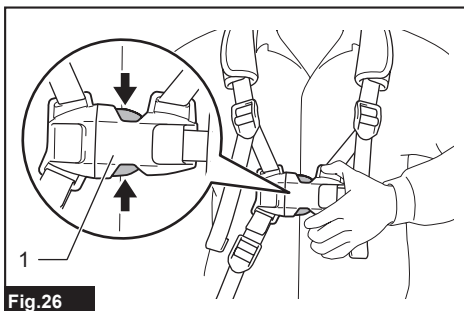


Fig. 26

1. Buckle

Working with the tool

CAUTION: Keep all parts of the body away from the saw chain when the motor is operating.

CAUTION: Hold the tool firmly with both hands when the motor is running.

CAUTION: Do not overreach. Keep proper footing and balance at all times.

CAUTION: When cutting through branches, be careful not to lose your balance due to the weight of the tool head.

CAUTION: Always keep escape route in case a cut branch falls towards the operator.

CAUTION: Never use the tip of the guide bar for cutting. Otherwise, dangerous kickback may occur, and it may result in personal injury.

NOTICE: Never toss or drop the tool.

NOTICE: Do not cover the vents of the tool.

NOTICE: Do not force the tool. Otherwise, it may damage the tool.

Stand on a stable surface, and hold the tool away from the branches so that the angle of the tool becomes 60° or less against the horizontal ground.

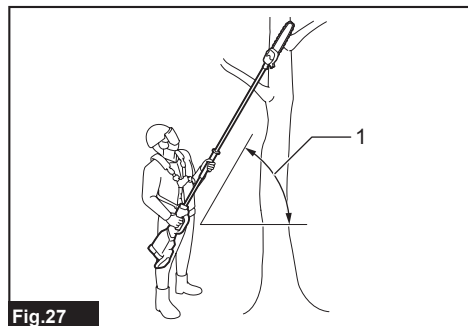


Fig.27

► 1. 60° or less

Start the tool, and then press the saw chain onto the branch lightly.

When cutting long branches, in order to control the drop position of cut branches, divide the branch in sections and cut the branch from the tip. Pay attention to the falling branches since they may bounce in the direction of the operator after hitting the ground.

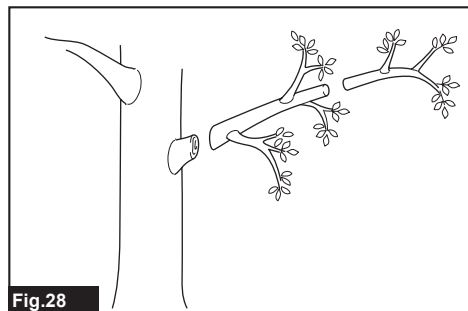


Fig.28

When cutting thick branches, first make a shallow undercut and then make the finish cut from the top.

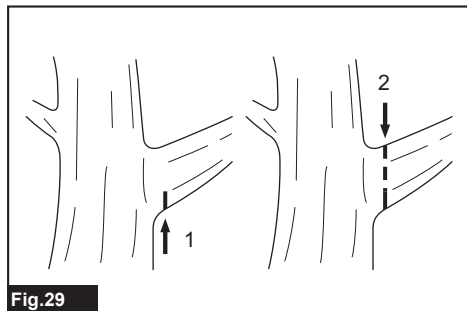


Fig.29

If you try to cut off thick branches from the bottom, the branch may close in and pinch the saw chain in the cut. If you try to cut off thick branches from the top without a shallow undercut, the branch may splinter.

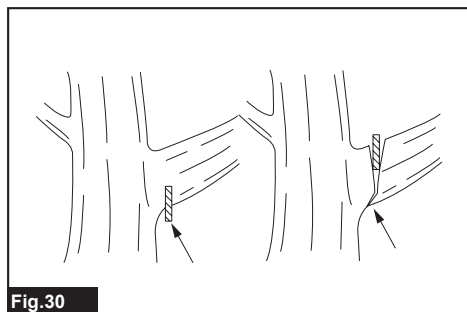


Fig.30

Carrying tool

Before carrying the tool, always remove the battery cartridges from the tool, and then attach the guide bar cover. Also cover the battery cartridge with the battery cover.

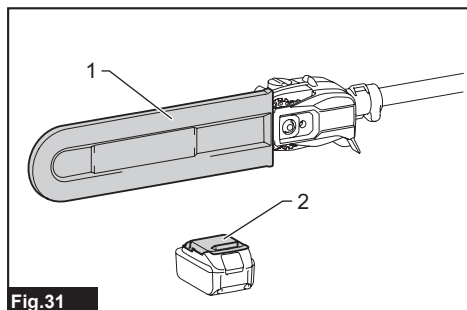


Fig.31

► 1. Guide bar cover 2. Battery cover

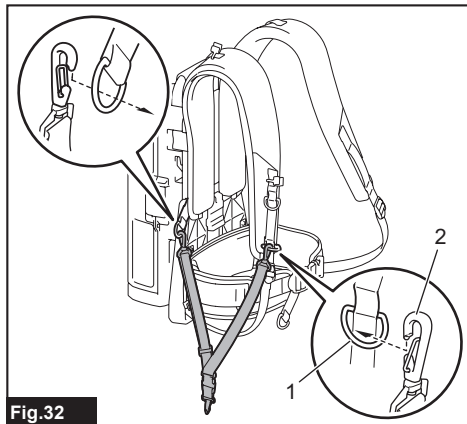
Using the tool with portable power pack

Optional accessory

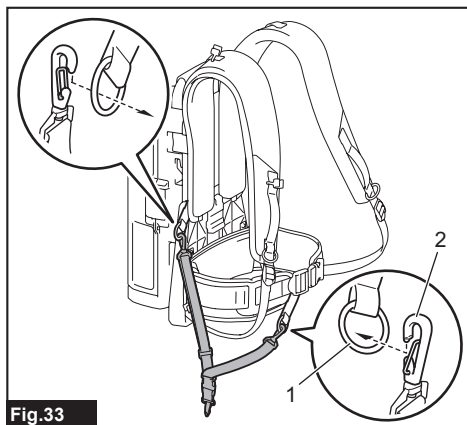
Use the hanging band when you use the tool with portable power pack.

Attaching the hanging band

1. Attach the hooks of the hanging band to the rings of the shoulder harness or waist belt as shown in the figure. Select the type of band and the connecting method appropriate for your usage.

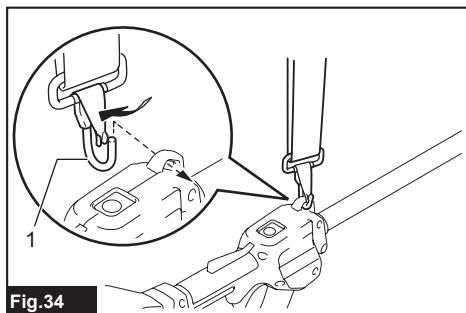


► 1. Ring 2. Hook



► 1. Ring 2. Hook

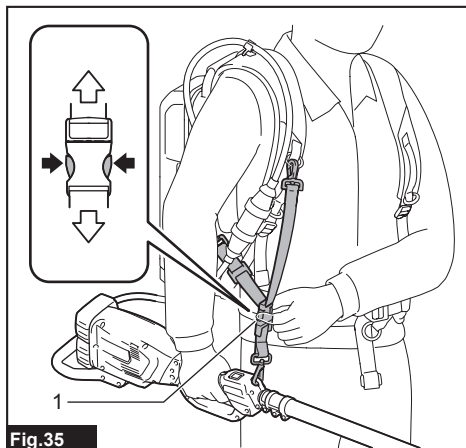
2. Attach the hook to the tool.



► 1. Hook

Detaching the tool

When setting down the tool, unlock the buckle on the hanging band with one hand while holding the tool with the other hand.



► 1. Buckle

NOTE: The buckle is not equipped depending on the type of band.

If you need to release the tool quickly, follow the steps below.

1. Push the levers on the buckle of the waist belt to unlock the buckle.

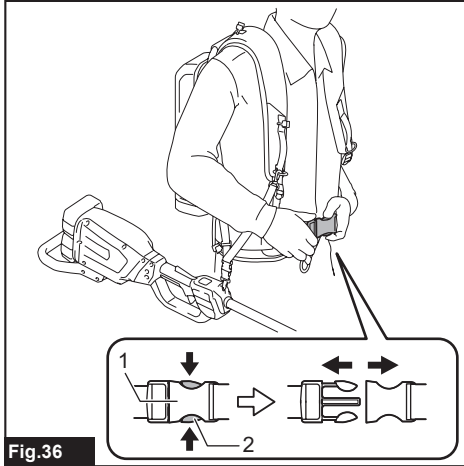


Fig.36

- 1. Buckle 2. Lever

2. Take off the shoulder harness to release the tool and the unit.

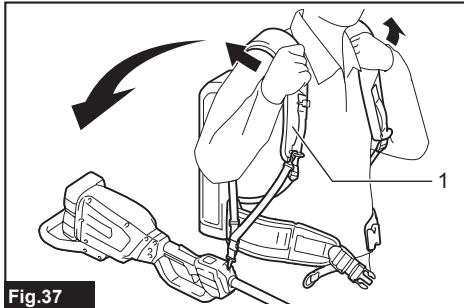


Fig.37

- 1. Shoulder harness

MAINTENANCE

CAUTION: Always be sure that the tool is switched off and the battery cartridge is removed before attempting to perform inspection or maintenance.

CAUTION: Always wear gloves when performing any inspection or maintenance.

NOTICE: Never use gasoline, benzine, thinner, alcohol or the like. Discoloration, deformation or cracks may result.

To maintain product SAFETY and RELIABILITY, repairs, any other maintenance or adjustment should be performed by Makita Authorized or Factory Service Centers, always using Makita replacement parts.

Sharpening the saw chain

Sharpen the saw chain when:

- Mealy sawdust is produced when damp wood is cut;
- The chain penetrates the wood with difficulty, even when heavy pressure is applied;
- The cutting edge is obviously damaged;
- The saw pulls to the left or right in the wood. (caused by uneven sharpening of the saw chain or damage to one side only)

Sharpen the saw chain frequently but a little each time. Two or three strokes with a file are usually sufficient for routine resharpener. When the saw chain has been resharpened several times, have it sharpened in our authorized service center.

Sharpening criteria:

WARNING: An excessive distance between the cutting edge and depth gauge increases the risk of kickback.

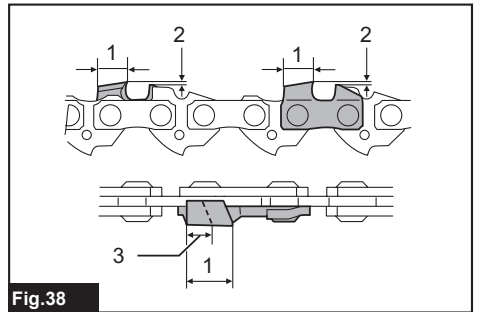


Fig.38

- 1. Cutter length 2. Distance between cutting edge and depth gauge 3. Minimum cutter length (3 mm (1/8"))

- All cutter length must be equal. Different cutter lengths prevent the saw chain from running smoothly and may cause the saw chain to break.
- Do not sharpen the chain when the cutter length has reached 3 mm (1/8") or shorter. The chain must be replaced with new one.
- The chip thickness is determined by the distance between the depth gauge (round nose) and the cutting edge.
- The best cutting results are obtained with following distance between cutting edge and depth gauge.
 - Chain blade 90PX : 0.65 mm (1/32")
 - Chain blade 91PX : 0.65 mm (1/32")

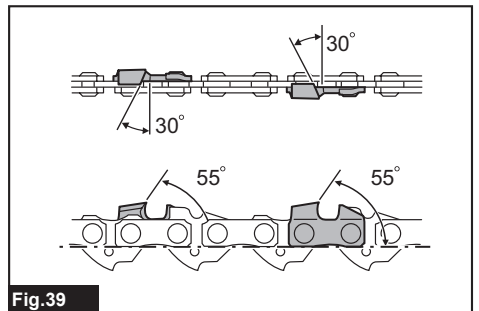


Fig.39

- The sharpening angle of 30° must be the same on all cutters. Different cutter angles cause the chain to run roughly and unevenly, accelerate wear, and lead to chain breaks.
- Use a suitable round file so that the proper sharpening angle is kept against the teeth.
 - Chain blade 90PX : 55°
 - Chain blade 91PX : 55°

File and file guiding

- Use a special round file (optional accessory) for saw chains to sharpen the chain. Normal round files are not suitable.
- Diameter of the round file for each saw chain is as follows:
 - Chain blade 90PX : 4.5 mm (3/16")
 - Chain blade 91PX : 4.0 mm (5/32")
- The file should only engage the cutter on the forward stroke. Lift the file off the cutter on the return stroke.
- Sharpen the shortest cutter first. Then the length of this shortest cutter becomes the standard for all other cutters on the saw chain.
- Guide the file as shown in the figure.

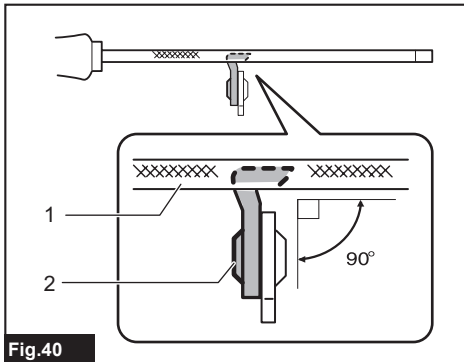


Fig.40

- 1. File 2. Saw chain

- The file can be guided more easily if a file holder (optional accessory) is employed. The file holder has markings for the correct sharpening angle of 30° (align the markings parallel to the saw chain) and limits the depth of penetration (to 4/5 of the file diameter).

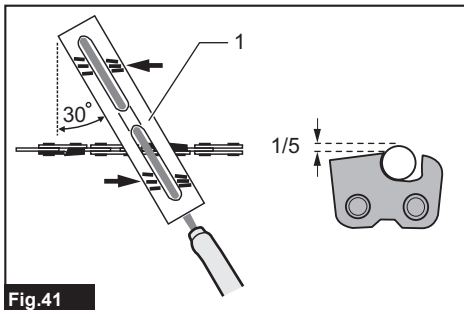


Fig.41

- 1. File holder

- After sharpening the chain, check the height of the depth gauge using the chain gauge tool (optional accessory).

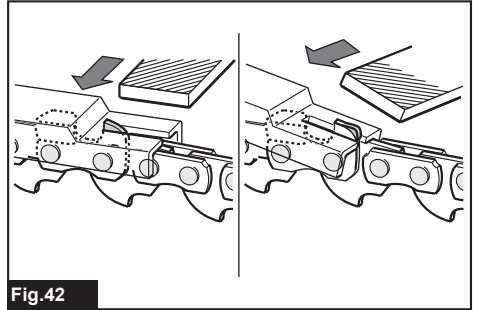


Fig.42

- Remove any projecting material, however small, with a special flat file (optional accessory).
- Round off the front of the depth gauge again.

Cleaning the guide bar

Chips and sawdust will build up in the guide bar groove. They may clog the bar groove and impair the oil flow. Clean out the chips and sawdust every time when you sharpen or replace the saw chain.

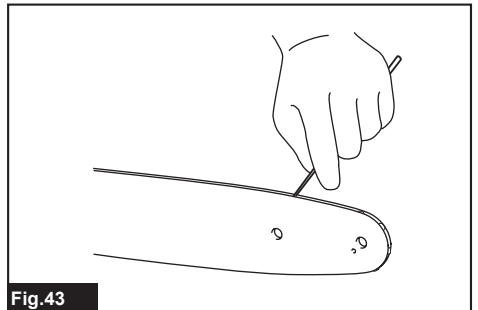


Fig.43

Cleaning the sprocket cover

Chips and saw dust will accumulate inside of the sprocket cover. Remove the sprocket cover and saw chain from the tool then clean the chips and saw dust.

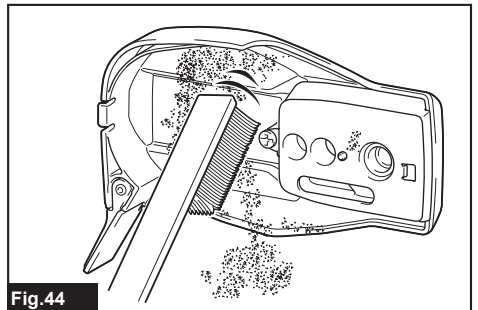


Fig.44

Cleaning the oil discharge hole

Small dust or particles may be built up in the oil discharge hole during operation. These dust or particles may impair the oil to flow and cause an insufficient lubrication on the whole saw chain. When a poor chain oil delivery occurs at the top of guide bar, clean the oil discharge hole as follows.

1. Remove the sprocket cover and saw chain from the tool.
2. Remove the small dust or particles using a slotted screwdriver or the like.

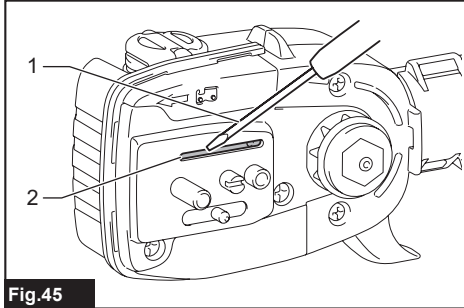


Fig.45

- 1. Slotted screwdriver 2. Oil discharge hole

3. Insert the battery cartridge into the tool. Pull the switch trigger to flow built-up dust or particles off the oil discharge hole by discharging chain oil.
4. Remove the battery cartridge from the tool. Reinstall the sprocket cover and saw chain on the tool.

Replacing the sprocket

CAUTION: A worn sprocket will damage a new saw chain. Have the sprocket replaced in this case.

Before fitting a new saw chain, check the condition of the sprocket. If the sprocket is worn or damaged, ask Makita Authorized Service Centers for replacement.

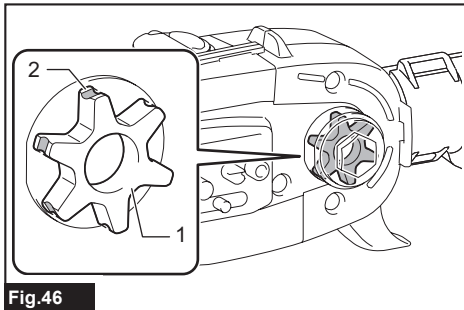


Fig.46

- 1. Sprocket 2. Areas to be worn out

Storing the tool

1. Clean the tool before storing. Remove any chips and sawdust from the tool after removing the sprocket cover.
2. After cleaning the tool, run it under no load to lubricate the saw chain and guide bar.
3. Cover the guide bar with the guide bar cover.
4. Empty the oil tank.

Instructions for periodic maintenance

To ensure long life, prevent damage and ensure the full functioning of the safety features, the following maintenance must be performed regularly. Warranty claims can be recognized only if this work is performed regularly and properly. Failure to perform the prescribed maintenance work can lead to accidents! The user of the tool must not perform maintenance work which is not described in the instruction manual. All such work must be carried out by our authorized service center.

Check item / Operating time		Before operation	Everyday	Every week	Every 3 month	Annually	Before storage
Entire tool	Inspection.	✓	-	-	-	-	-
	Cleaning.	-	✓	-	-	-	-
	Check at authorized service center.	-	-	-	-	✓	✓
Saw chain	Inspection.	✓	-	-	-	-	-
	Sharpening if necessary.	-	-	-	-	-	✓
Guide bar	Inspection.	✓	✓	-	-	-	-
	Remove from the tool.	-	-	-	-	-	✓
Chain lubrication	Check the oil feed rate.	✓	-	-	-	-	-
Switch trigger	Inspection.	✓	-	-	-	-	-
Lock-off lever	Inspection.	✓	-	-	-	-	-
Oil tank cap	Check tightness.	✓	-	-	-	-	-
Screws and nuts	Inspection.	-	-	✓	-	-	-

TROUBLESHOOTING

Before asking for repairs, conduct your own inspection first. If you find a problem that is not explained in the manual, do not attempt to dismantle the tool. Instead, ask Makita Authorized Service Centers, always using Makita replacement parts for repairs.

Malfunction status	Cause	Action
The tool does not start.	Battery cartridge is not installed.	Install a charged battery cartridge.
	Battery problem (low voltage).	Recharge the battery cartridges. If recharging is not effective, replace the battery cartridge.
	Main power switch is off.	The tool is automatically turned off if it is un-operated for a certain period. Turn on the main power switch again.
The motor stops running after a little use.	Battery's charge level is low.	Recharge the battery cartridges. If recharging is not effective, replace the battery cartridge.
No oil on the chain.	Oil tank is empty.	Fill the oil tank.
	Oil guide groove is dirty.	Clean the groove.
	Poor oil delivery.	Adjust the amount of oil delivery with the adjusting screw.
The tool does not reach maximum RPM.	Battery cartridge is installed improperly.	Install the battery cartridges as described in this manual.
	Battery power is dropping.	Recharge the battery cartridge. If recharging is not effective, replace the battery cartridge.
	The drive system does not work correctly.	Ask the authorized service center in your region for repair.
The main power lamp is blinking in green.	Switch trigger is pulled under an unoperable condition.	Pull the switch trigger after the main power switch is turned on.
Abnormal vibration: Stop the tool immediately!	Loose guide bar or saw chain.	Adjust the guide bar and saw chain tension.
	Tool malfunction.	Ask the authorized service center in your region for repair.
The Torque Boost mode is not available after replacing the battery cartridge with a fully charged one.	Depending on the usage conditions, the Torque Boost mode is not available after replacing the battery cartridge.	Use the tool in the normal mode until the installed battery cartridge becomes empty, and then replace the battery cartridge with a fully charged one, or recharge the battery cartridge.
The saw chain cannot be installed.	The combination of saw chain and sprocket is not correct.	Use the correct combination of saw chain and sprocket by referring to the section for specifications.

OPTIONAL ACCESSORIES

CAUTION: These accessories or attachments are recommended for use with your Makita tool specified in this manual. The use of any other accessories or attachments might present a risk of injury to persons. Only use accessory or attachment for its stated purpose.

If you need any assistance for more details regarding these accessories, ask your local Makita Service Center.

- Saw chain
- Guide bar
- Guide bar cover
- Angled attachment
- File
- Makita genuine battery and charger

WARNING: If you purchase a guide bar of different length from the standard guide bar, also purchase a suitable guide bar cover together. It must fit and fully cover the guide bar on the tool.

NOTE: Some items in the list may be included in the tool package as standard accessories. They may differ from country to country.

MAKITA LIMITED WARRANTY

Please refer to the annexed warranty sheet for the most current warranty terms applicable to this product. If annexed warranty sheet is not available, refer to the warranty details set forth at below website for your respective country.

United States of America: www.makitatools.com
 Canada: www.makita.ca
 Other countries: www.makita.com

SPÉCIFICATIONS

Modèle :		DUA250
Longueur totale (sans guide-chaîne et accessoire)		2 235 mm (88")
Tension nominale		C.C. 36 V
Poids net		6,1 - 7,3 kg (13,4 - 16,1 lbs)
Longueur du guide-chaîne standard		250 mm (10")
Longueur recommandée du guide-chaîne	avec 90PX	250 mm (10")
	avec 91PX	250 mm (10")
Type de chaîne applicable (voir le tableau ci-dessous)		90PX 91PX
Pignon standard	Nombre de dents	6
	Pas	3/8"
Vitesse de la chaîne		0 - 20 m/s (0 - 1 200 m/min) (0 - 3 940 ft/min)
Volume du réservoir d'huile à chaîne		160 cm ³ (5,4 fl oz)

- Étant donné l'évolution constante de notre programme de recherche et développement, les spécifications contenues dans ce manuel sont sujettes à modification sans préavis.
- Les spécifications peuvent varier d'un pays à l'autre.
- Le poids peut varier selon les accessoires, y compris la batterie. La plus légère et la plus lourde combinaisons, selon la procédure EPTA 01/2014, sont indiquées dans le tableau.

Batteries et chargeurs applicables

Batterie	BL1820B / BL1830 / BL1830B / BL1840B / BL1850B / BL1860B
Chargeur	DC18RC / DC18RD / DC18RE / DC18SD / DC18SE / DC18SF / DC18SH

- Suivant la région où vous habitez, il se peut que certaines des batteries et certains des chargeurs énumérés ci-dessus ne soient pas disponibles.

⚠ MISE EN GARDE : Utilisez exclusivement les batteries et chargeurs énumérés ci-dessus. L'utilisation de toute autre batterie ou tout autre chargeur peut entraîner une blessure et/ou un incendie.

Source d'alimentation connectée au cordon recommandée

Support d'alimentation portable	PDC01 / PDC1200
---------------------------------	-----------------

- Suivant la région où vous habitez, il se peut que la ou les sources d'alimentation connectées au cordon énumérées ci-dessus ne soient pas disponibles.
- Avant d'utiliser la source d'alimentation connectée au cordon, lisez les instructions et indications de mise en garde qui se trouvent sur celle-ci.

Combinaison de chaîne, guide-chaîne et pignon

Type de chaîne		90PX
Nombre de maillons d'entraînement		40
Guide-chaîne	Longueur du guide-chaîne	250 mm (10")
	Longueur de coupe	240 mm (9-1/2")
	Pas	3/8"
	Jauge	1,1 mm (0,043")
	Type	Guide-chaîne à pignon de renvoi
Pignon	Nombre de dents	6
	Pas	3/8"

Type de chaîne		91PX
Nombre de maillons d'entraînement		40
Guide-chaîne	Longueur du guide-chaîne	250 mm (10")
	Longueur de coupe	240 mm (9-1/2")
	Pas	3/8"
	Jauge	1,3 mm (0,050")
	Type	Guide-chaîne à pignon de renvoi
Pignon	Nombre de dents	6
	Pas	3/8"

⚠ MISE EN GARDE : Utilisez la bonne combinaison de guide-chaîne et de chaîne. Autrement il y a risque de blessure.

CONSIGNES DE SÉCURITÉ

Importantes consignes de sécurité

⚠ MISE EN GARDE : Évitez l'utilisation près des lignes électriques. Cet outil n'a pas été conçu pour fournir une protection contre les décharges électriques en cas de contact avec les lignes électriques aériennes. Consultez la réglementation locale au sujet de la distance sécuritaire sous les lignes électriques aériennes, et assurez-vous que l'emplacement d'exécution du travail est sécuritaire avant d'utiliser la tronçonneuse coupe-branche sur perche.

⚠ MISE EN GARDE : Pour réduire les risques d'incendie, de choc électrique et de blessure lors de l'utilisation des appareils électriques de jardinage, il importe de toujours prendre des mesures de sécurité élémentaires, dont les suivantes :

LISEZ TOUTES LES INSTRUCTIONS.

1. **Évitez les environnements dangereux** - N'utilisez pas les appareils dans les endroits humides ou mouillés.
2. **Évitez l'utilisation sous la pluie.**
3. **Tenez les enfants à l'écart** - Toute autre personne que l'utilisateur doit se tenir à une bonne distance de la zone de travail.
4. **Portez des vêtements adéquats** - Ne portez ni vêtements amples ni bijoux. Ils risqueraient d'être happés par les pièces en mouvement. Le port de gants de caoutchouc et de chaussures solides est recommandé pour les travaux extérieurs. Portez un filet de protection pour envelopper les cheveux longs.
5. **Portez des lunettes de sécurité** - Si le travail génère de la poussière, portez toujours un écran facial ou un masque anti-poussières.
6. **Utilisez le bon appareil** - N'utilisez pas l'appareil pour effectuer un travail pour lequel il n'a pas été conçu.

7. **Évitez le démarrage accidentel** - Ne transportez pas l'appareil avec le doigt sur l'interrupteur. Pensez à couper le contact avant d'insérer la batterie.
8. **Lorsque vous prenez ou tenez l'appareil, ne le faites pas par les lames nues ou par les tranchants.**
9. **Ne forcez pas l'appareil** - Il effectuera un travail de meilleure qualité et avec moins de risques de blessure s'il est utilisé au régime pour lequel il a été conçu.
10. **Ne vous étirez pas trop** - Assurez-vous d'une bonne prise au sol et d'une bonne position d'équilibre en tout temps.
11. **Restez vigilant** - Soyez attentif à vos gestes. Faites preuve de bon sens. N'utilisez pas l'appareil lorsque vous êtes fatigué.
12. **Après l'utilisation, rangez les appareils à l'intérieur** - Lorsqu'ils ne sont pas utilisés, les appareils doivent être rangés à l'intérieur dans un emplacement sec et élevé ou verrouillé, hors de la portée des enfants.
13. **Prenez bien soin de l'appareil** - Gardez le tranchant affûté et propre pour assurer un rendement optimal et réduire les risques de blessure. Suivez les instructions concernant le graissage et le remplacement des accessoires. Maintenez les poignées sèches, propres et exemptes d'huile ou de graisse.
14. **Vérifiez les pièces endommagées** - Avant de poursuivre l'utilisation de l'appareil, il est impératif de vérifier soigneusement si un protecteur ou autre pièce endommagée fonctionne bien et remplit la fonction pour lequel il a été conçu. Assurez-vous que les pièces mobiles ne sont pas désalignées ou coincées, et qu'aucune pièce n'est cassée, mal montée ou n'a subi des dommages pouvant affecter son fonctionnement. Un protecteur ou toute autre pièce endommagée doit être adéquatement réparé ou remplacé par un centre de service après-vente agréé, sauf indication contraire dans le présent manuel.
15. **Gardez toutes les parties de votre corps à l'écart de la chaîne. Pendant que les lames sont en mouvement, évitez de retirer le matériau coupé ou de tenir le matériau à couper. Avant de retirer un matériau coincé, veillez à mettre l'interrupteur en position d'arrêt.** La chaîne continue de bouger une fois l'interrupteur en position d'arrêt. Un moment d'inattention pendant l'utilisation du coupe-branche longue portée peut entraîner une grave blessure.
16. **Transportez le coupe-branche sur perche par la poignée, avec la chaîne arrêtée. Lorsque vous transportez ou rangez le coupe-branche sur perche, installez toujours le couvre-chaîne.** Une manipulation adéquate du coupe-branche sur perche réduira les risques de blessure au contact de la chaîne.
17. **Tenez le coupe-branche sur perche uniquement par ses surfaces de prise isolées, car la chaîne pourrait venir en contact avec un câblage dissimulé.** En cas de contact de la chaîne avec un conducteur sous tension, les pièces métalliques à découvert du coupe-branche sur perche pourraient se mettre sous tension et transmettre une décharge électrique à l'utilisateur.
18. **N'utilisez pas le coupe-branche sur perche sous de mauvaises conditions météo, et tout spécialement lorsqu'il y a risque de foudre.** Cela réduit le risque d'être frappé par la foudre.
19. **Pour réduire le risque d'électrocution, ne l'utilisez jamais près des lignes électriques.** Le contact avec des lignes électriques ou l'utilisation près de celles-ci peut entraîner une grave blessure ou une décharge électrique mortelle.
20. **Utilisez toujours le coupe-branche sur perche à deux mains. Tenez le coupe-branche sur perche à deux mains pour éviter d'en perdre le contrôle.**
21. **Portez toujours un casque protecteur lorsque vous utilisez le coupe-branche sur perche au-dessus de votre tête.** La chute de débris peut entraîner une grave blessure.
22. **Lors du remplacement des batteries, elles doivent être toutes remplacées en même temps si l'outil est alimenté par plus d'une batterie.** Mélanger des batteries fraîches et des batteries déchargées peut faire augmenter la pression interne de la cellule et causer la rupture des batteries déchargées.
23. **Retirez ou déconnectez la batterie avant de réparer l'appareil, de le nettoyer ou d'en retirer un matériau.** Ces mesures préventives de sécurité réduisent les risques de démarrage accidentel de l'appareil.
24. **Utilisez exclusivement les batteries qui figurent dans les « SPÉCIFICATIONS ».** L'utilisation de toutes autres batteries peut entraîner un risque d'incendie.
25. **Manipulez les batteries soigneusement, pour ne pas les court-circuiter avec des matériaux conducteurs tels que les anneaux/bagues, bracelets et clés.** La batterie ou le conducteur risquerait de surchauffer et de causer des brûlures.
26. **Un appareil alimenté par des batteries intégrées ou une batterie séparée ne doit être rechargé qu'avec le chargeur spécifié pour les dites batteries.** Un chargeur conçu pour un type donné de batterie comporte un risque d'incendie lorsqu'il est utilisé avec un autre type de batterie.
27. **Avant d'allumer l'appareil, retirez les clés ou clés de réglage.** Toute clé laissée en place sur une pièce rotative de l'appareil peut entraîner une blessure.
28. **Lorsque vous n'utilisez pas la batterie, rangez-le à l'écart des objets métalliques tels que : trombones, pièces de monnaie, clés, clous, vis ou autres petits objets métalliques qui risquent d'établir une connexion entre les bornes.** Court-circuiter les bornes de batterie peut causer des étincelles, des brûlures ou un incendie.
29. **Dans des conditions d'utilisation inadéquates de la batterie, il peut y avoir fuite d'électrolyte; évitez tout contact avec ce liquide.** En cas de contact accidentel, rincez avec beaucoup d'eau. Si le liquide pénètre dans vos yeux, il faut aussi consulter un médecin. L'électrolyte qui s'échappe de la batterie peut causer des irritations ou des brûlures.

30. **Utilisez exclusivement les accessoires recommandés par le fabricant pour votre modèle.** Les accessoires conçus pour un appareil donné peuvent entraîner un risque de blessure lorsque utilisés sur un autre appareil.
31. **La réparation de l'appareil doit être confiée exclusivement à des réparateurs qualifiés.** Confié à une personne non qualifiée, la réparation ou l'entretien peut entraîner un risque de blessure.
32. **Pour réparer l'appareil, utilisez exclusivement des pièces de rechange identiques aux pièces d'origine. Suivez les instructions de la section Entretien du présent manuel.** L'utilisation de pièces non autorisées ou le non-respect des instructions d'entretien peut entraîner un risque de choc électrique ou de blessure.
33. **Cet appareil n'est pas conçu pour être utilisé par des personnes (y compris les enfants) atteintes d'un handicap physique, sensoriel ou mental, ou ne possédant pas l'expérience ou les connaissances nécessaires.** Les enfants doivent être surveillés, pour s'assurer qu'ils ne jouent pas avec l'appareil.
34. **N'utilisez pas les appareils dans les atmosphères explosives, par exemple en présence de liquides, gaz ou poussières inflammables.** Les appareils produisent des étincelles au contact desquelles la poussière ou les vapeurs peuvent s'enflammer.

Précautions générales

1. **Avant de démarrer l'outil, veuillez lire ce manuel d'instructions pour vous familiariser avec la manipulation de l'outil.**
2. **Ne prêtez l'outil à aucune personne dont l'expérience ou les connaissances sont insuffisantes pour la manipulation de l'outil.**
3. **Lorsque vous prêtez l'outil, joignez toujours ce manuel d'instructions.**
4. **Ne laissez pas les enfants ou les jeunes de moins de 18 ans utiliser l'outil. Ne les laissez pas approcher de l'outil.**
5. **Manipulez l'outil avec le plus grand soin et la plus grande prudence.**
6. **N'utilisez jamais l'outil après avoir consommé de l'alcool ou des drogues, ou si vous vous sentez fatigué ou malade.**
7. **N'essayez jamais de modifier l'outil.**
8. **N'utilisez pas l'outil sous de mauvaises conditions météo, et tout spécialement lorsqu'il y a un risque de foudre.** Cela réduit le risque d'être frappé par la foudre.
9. **La réglementation nationale peut restreindre l'utilisation de l'outil. Respectez la réglementation en vigueur dans votre pays en matière de manipulation de l'outil.**

Équipement de protection individuelle

1. **Portez un casque de sécurité, des lunettes à coques et des gants de protection pour vous protéger contre les projections de débris ou la chute d'objets.**
2. **Portez une protection d'oreilles telle qu'un protège-oreilles pour prévenir les lésions de l'ouïe.**

3. **Portez des vêtements et chaussures sécuritaires, tels qu'une combinaison de travail et des chaussures robustes à semelle antidérapante. Ne portez ni vêtements amples ni bijoux.** Les vêtements amples, bijoux ou cheveux longs peuvent être happés par les pièces en mouvement.
4. **Portez des gants de protection lorsque vous manipulez la chaîne ou réglez sa tension.** La chaîne peut couper sévèrement les mains nues.

Sécurité de la zone de travail

1. **Gardez l'outil à au moins 15 m (50 pi) des lignes électriques et câbles de communication (y compris les branches qui les touchent).** Toucher les lignes haute tension ou s'en approcher avec l'outil peut entraîner la mort ou une grave blessure. Avant de commencer le travail, vérifiez s'il y a des lignes électriques ou des clôtures électriques aux environs de la zone de travail.
2. **N'utilisez l'outil que dans des conditions de bonne visibilité et à la lumière du jour.** N'utilisez pas l'outil dans l'obscurité ou le brouillard.
3. **Pendant l'exécution du travail, ne vous tenez jamais sur une surface instable ou glissante, ou dans une pente abrupte.** Pendant la saison froide, prenez garde à la glace et à la neige, et assurez-vous toujours d'une bonne prise au sol.
4. **Pendant l'exécution du travail, ne laissez pas les curieux ou les animaux approcher à moins de 15 m (50 pi) de l'outil.** Arrêtez l'outil dès que quelqu'un approche.
5. **Lorsque vous travaillez avec deux autres personnes ou plus, gardez une distance d'au moins 15 m (50 pi) entre chaque personne, et désignez un superviseur.**
6. **Avant l'exécution du travail, vérifiez l'absence de clôtures grillagées et de murs ou autres objets solides dans la zone de travail.** Ils peuvent endommager la chaîne.

Préparatifs

1. **Avant d'assembler ou de régler l'outil, éteignez-le et retirez la batterie.**
2. **Portez des gants de protection lorsque vous manipulez la chaîne ou réglez sa tension.**
3. **Avant de démarrer l'outil, vérifiez l'absence de dommages, de vis ou écrous mal serrés ou de pièces mal assemblées.** Affûtez la chaîne lorsqu'elle est émoussée. Si la chaîne est déformée ou endommagée, remplacez-la. Vérifiez le fonctionnement fluide des leviers de commande et des interrupteurs. Nettoyez et essuyez les poignées.
4. **N'essayez jamais de démarrer l'outil s'il est endommagé ou imparfaitement assemblé.** Autrement, il y a un risque de grave blessure.
5. **Réglez la sangle d'épaule selon la taille de l'utilisateur.**
6. **Réglez adéquatement la tension de la chaîne.** Faites le plein d'huile à chaîne, lorsque nécessaire.

Démarrage de l'outil

1. **Portez les équipements de protection individuelle avant de démarrer l'outil.**
2. **Avant de démarrer l'outil, assurez-vous qu'il n'y a pas de personne ou d'animal dans la zone de travail.**
3. **Lorsque vous installez la batterie, gardez la chaîne et le guide-chaîne à l'écart de votre corps et de tout objet, y compris le sol.** La chaîne peut bouger lors du démarrage et entraîner une grave blessure, subir des dommages et/ou provoquer des dommages matériels.
4. **Mettez l'outil sur un sol ferme. Assurez-vous de rester en bonne position d'équilibre et bien campé.**

Utilisation

1. **En cas d'urgence, éteignez immédiatement l'outil.**
2. **Si vous constatez une anomalie (bruit, vibration, etc.) pendant l'utilisation, éteignez l'outil. Ne réutilisez l'outil qu'après avoir identifié la cause et réglé le problème.**
3. **La chaîne continue de bouger pendant un court moment une fois l'outil éteint. Ne touchez pas la chaîne tout de suite.**
4. **Pendant l'exécution du travail, utilisez la sangle d'épaule. Gardez l'outil fermement de votre côté droit.**
5. **Tenez la poignée avant dans votre main gauche et la poignée arrière dans votre main droite, peu importe que vous soyez droitier ou gaucher. Enveloppez les poignées de vos pouces et autres doigts.**
6. **Tenez l'outil uniquement par ses surfaces de prise isolées, car la chaîne pourrait venir en contact avec un câblage dissimulé.** En cas de contact de la chaîne avec un conducteur sous tension, les pièces métalliques à découvert du coupe-branche longue portée pourraient se mettre sous tension et transmettre une décharge électrique à l'utilisateur.
7. **N'essayez jamais d'utiliser l'outil d'une seule main. La perte de contrôle peut entraîner une blessure grave, voire fatale. Pour réduire le risque de blessure, gardez les mains et les pieds à l'écart de la chaîne.**
8. **Ne tendez pas trop les bras. Gardez une bonne prise au sol et une bonne position d'équilibre en tout temps. Vérifiez l'absence d'obstacles dissimulés, tels que souches, racines et fossés, pour éviter de perdre pied. Enlevez les branches tombées et autres objets.**
9. **Pour éviter de perdre le contrôle de l'outil, ne travaillez jamais sur une échelle ou dans un arbre.**
10. **Si l'outil subit un choc violent ou tombe, vérifiez son état avant de poursuivre le travail. Si vous constatez ou soupçonnez tout dommage, demandez à votre centre de service après-vente agréé Makita de procéder à l'inspection et à la réparation.**
11. **Ne touchez pas la tête de l'outil.** La tête de l'outil devient chaude pendant l'utilisation.
12. **En cas de fatigue, faites une pause pour éviter de perdre le contrôle de l'outil.** Il est recommandé de prendre une pause de 10 à 20 minutes toutes les heures.
13. **Lorsque vous laissez l'outil derrière vous, même pour un court instant, éteignez-le toujours et retirez la batterie.** Un outil en marche laissé sans surveillance peut être utilisé par une personne non autorisée et entraîner un grave accident.
14. **Lorsque vous utilisez l'outil, ne levez pas votre main droite plus haut que la hauteur de l'épaule.**
15. **Pendant l'utilisation, ne heurtez jamais la chaîne contre des objets durs tels que pierres et clous. Soyez tout particulièrement prudent lorsque vous coupez des branches près des murs, clôtures métalliques, etc.**
16. **Si des branches se coincent dans l'outil, arrêtez toujours l'outil et retirez la batterie.** Autrement, un démarrage involontaire risque d'entraîner une grave blessure.
17. **Si la chaîne se coince, éteignez toujours l'outil et retirez la batterie avant de nettoyer l'outil.**
18. **Accélérer l'outil alors que sa chaîne est bloquée accroîtra la charge et endommagera l'outil.**
19. **Avant de couper des branches, assurez-vous d'une voie de retraite tout autour de la zone de chute de la branche. Enlevez d'abord les obstacles tels que branches de la zone de travail. Déplacez vers un endroit sûr tous les autres outils et objets présents dans voie de retraite.**
20. **Avant de couper les branches, vérifiez leur direction de chute en tenant compte de leur situation, des arbres voisins, de la direction du vent, etc. Soyez très attentif à la direction de chute et au rebond de la branche au contact du sol.**
21. **Ne tenez jamais l'outil sur un angle de plus de 60°. Autrement, les objets qui tombent peuvent heurter l'utilisateur et entraîner une grave blessure. Ne vous tenez jamais sous la branche que vous coupez.**
22. **Prenez garde aux branches cassées ou pliées.** Elles peuvent rebondir pendant la coupe et entraîner une blessure inattendue.
23. **Avant de vous attaquer aux branches à couper, enlevez les autres branches et feuilles environnantes.** Autrement, la chaîne risque de s'y accrocher.
24. **Pour éviter que la chaîne ne se coince dans le trait de scie, ne libérez pas le levier avant d'avoir retiré la chaîne du trait de scie.**
25. **Si la chaîne se coince dans le trait de scie, arrêtez immédiatement l'outil, écarterez prudemment la branche pour ouvrir le trait de scie et libérez la chaîne.**
26. **Évitez le recul (force réactive de rotation exercée vers l'utilisateur). Pour éviter le recul, n'utilisez jamais le bout du guide-chaîne et n'effectuez jamais une coupe pénétrante. Soyez toujours attentif à la position du bout du guide-chaîne.**
27. **Vérifiez fréquemment la tension de la chaîne.** Lorsque vous vérifiez ou réglez la tension de la chaîne, éteignez l'outil et retirez la batterie. Si la tension est insuffisante, augmentez-la.

Transport

1. **Avant de transporter l'outil, éteignez-le et retirez la batterie. Avant le transport, installez toujours le protecteur de guide-chaîne.**
2. **Lorsque vous transportez l'outil, faites-le à l'horizontale et en le tenant par la poignée.**

Entretien

1. **Confiez l'entretien de votre équipement à un centre de service après-vente agréé qui utilise toujours des pièces de rechange authentiques aux pièces d'origine.** Une réparation inadéquate et le mauvais entretien peuvent raccourcir la durée de service de l'outil et accroître les risques d'accident.
2. **Avant d'effectuer tout travail d'entretien, de réparation ou de nettoyage de l'outil, éteignez toujours l'outil et retirez la batterie. Attendez que l'outil ait refroidi.**
3. **Portez toujours des gants de protection lorsque vous manipulez la chaîne.**
4. **Après chaque utilisation, serrez toutes les vis et écrous, à l'exception des vis de réglage.**
5. **Gardez la chaîne bien affûtée.** Si la chaîne est émoussée et ne coupe pas bien, demandez à votre centre de service après-vente agréé Makita de l'affûter ou de la remplacer par une neuve.
6. **Ne tentez aucun travail d'entretien ou de réparation non décrit dans ce manuel d'instructions. Confiez ce travail à votre centre de service après-vente agréé Makita.**
7. **Utilisez toujours d'authentiques pièces de rechange et accessoires Makita.** L'utilisation de pièces ou d'accessoires d'un autre fabricant peut entraîner une panne de l'outil, des dommages matériels et/ou une grave blessure.

Utilisation et entretien de l'outil à batterie

1. **Prévenez le démarrage accidentel. Assurez-vous que l'interrupteur est en position d'arrêt avant de connecter la machine à la batterie, de la saisir ou de la transporter.** Transporter la machine avec le doigt sur l'interrupteur ou la mettre sous tension alors que son interrupteur est en position de marche ouvre la porte aux accidents.
2. **Retirez la batterie de la machine avant de procéder à des réglages, au remplacement d'accessoires ou au rangement de la machine.** De telles mesures de sécurité préventives réduisent le risque de démarrage accidentel de la machine.
3. **Ne la rechargez qu'avec le chargeur spécifié par le fabricant.** Un chargeur conçu pour un certain type de batterie risque de déclencher un incendie s'il est utilisé avec une autre batterie.
4. **N'utilisez les machines qu'avec leurs batteries spécifiques.** Les autres batteries risqueraient de vous blesser ou de provoquer un incendie.
5. **Lorsque la batterie n'est pas utilisée, tenez-la à distance des objets métalliques tels que trombones, pièces de monnaie, clés, clous, vis ou autres petits objets métalliques, conducteurs potentiels entre une borne et une autre.** Un court-circuit entre les bornes de la batterie peut provoquer des brûlures ou un incendie.

6. **Dans des conditions d'utilisation inadéquates de la batterie, il peut y avoir fuite d'électrolyte; évitez tout contact. En cas de contact accidentel, rincez avec beaucoup d'eau. Si du liquide entre en contact avec les yeux, consultez un médecin.** Le liquide qui gicle de la batterie peut provoquer des irritations ou des brûlures.
7. **N'utilisez pas une batterie ou une machine endommagée ou modifiée.** Les batteries endommagées ou modifiées peuvent se comporter de manière imprévisible et entraîner un incendie, une explosion ou un risque de blessure.
8. **N'exposez pas une batterie ou une machine au feu ou à une température excessive.** L'exposition au feu ou à une température supérieure à 130 °C (265 °F) peut provoquer une explosion.
9. **Suivez toutes les instructions de charge et ne chargez pas la batterie ou la machine à l'extérieur de la plage de température spécifiée dans les instructions.** Effectuer la charge de manière inadéquate ou à une température hors de la plage spécifiée peut endommager la batterie et faire augmenter le risque d'incendie.
10. **L'entretien doit être confié à un réparateur qualifié et n'utilisant que des pièces de rechange identiques aux pièces d'origine.** Cela assurera le maintien du produit dans un état sécuritaire.
11. **Ne modifiez pas et n'essayez pas de réparer la machine ou la batterie autrement que tel qu'indiqué dans les instructions d'utilisation et d'entretien.**

Consignes de sécurité sur l'alimentation électrique et la batterie

1. **Ne jetez pas la/les batterie(s) au feu.** L'élément pourrait exploser. Vérifiez la réglementation de votre région pour savoir s'il existe des directives particulières sur l'élimination.
2. **N'ouvrez pas et n'endommagez pas la/les batterie(s).** L'électrolyte qui s'échappe est corrosif et peut provoquer des dommages aux yeux ou à la peau. Il peut être toxique s'il est ingéré.
3. **Ne chargez pas la batterie sous la pluie ou dans les emplacements humides.**
4. **Ne chargez pas la batterie à l'extérieur.**
5. **Ne manipulez pas le chargeur, y compris sa fiche et ses bornes, avec les mains mouillées.**
6. **Évitez les environnements dangereux.** N'utilisez pas l'outil dans les endroits humides ou mouillés, et ne l'exposez pas à la pluie. L'infiltration d'eau dans l'outil accroît le risque de décharge électrique.







Rangement

1. **Avant de ranger l'outil, procédez à son nettoyage et entretien complet.** Installez le protecteur de guide-chaîne. Retirez la batterie. Vidangez l'huile à chaîne une fois l'outil refroidi.
2. **Rangez l'outil dans un emplacement sec et élevé ou verrouillé, hors de portée des enfants.**
3. **N'appuyez pas l'outil contre quelque chose, par exemple un mur.** Autrement il risque de tomber soudainement et d'entraîner une blessure.

CONSERVEZ CE MODE D'EMPLOI.

Symboles

Les symboles utilisés pour l'outil sont indiqués ci-dessous.

	volts
	courant continu
m/s	mètre par seconde
ft/min	pieds par minute
	numéro de pièce de la chaîne et du guide-chaîne applicables
	Sens de progression de la chaîne
	Réservoir d'huile à chaîne
	Surfaces chaudes - Brûlures aux doigts ou aux mains.

Consignes de sécurité importantes pour la batterie

- Avant d'utiliser la batterie, lisez toutes les instructions et les mises en garde apposées sur (1) le chargeur de batterie, (2) la batterie et (3) le produit utilisant la batterie.**
- Ne démontez pas et ne modifiez pas la batterie.** Cela peut entraîner un incendie, une chaleur excessive ou une explosion.
- Cessez immédiatement l'utilisation si le temps de fonctionnement devient excessivement court.** Il y a risque de surchauffe, de brûlures, voire d'explosion.
- Si l'électrolyte pénètre dans vos yeux, rincez-les à l'eau claire et consultez immédiatement un médecin.** Il y a risque de perte de la vue.
- Ne court-circuitez pas la batterie :**
 - Ne touchez les bornes avec aucun matériau conducteur.**
 - Évitez de ranger la batterie dans un conteneur avec d'autres objets métalliques tels que clous, pièces de monnaie, etc.**
 - Évitez d'exposer la batterie à l'eau ou à la pluie.**

Un court-circuit de la batterie pourrait provoquer un fort courant, une surchauffe, parfois des brûlures et même une panne.
- Ne rangez pas et n'utilisez pas l'outil ou la batterie dans des emplacements où la température peut atteindre ou dépasser 50 °C (122 °F).**
- Ne jetez pas la batterie au feu même si elle est sérieusement endommagée ou complètement épuisée.** La batterie peut exploser au contact du feu.

- Évitez de clouer, de couper, d'écraser, de lancer ou d'échapper la batterie, ou de heurter un objet dur contre la batterie.** Cela peut entraîner un incendie, une chaleur excessive ou une explosion.
- N'utilisez pas une batterie si elle est endommagée.**
- Les batteries lithium-ion fournies sont soumises aux exigences de la législation sur les marchandises dangereuses.**

Des exigences particulières sur l'emballage et l'étiquetage doivent être respectées lors du transport commercial par des tiers, des transitaires, etc. Pour préparer la marchandise à expédier, consultez un expert en matériaux dangereux si nécessaire. Respectez aussi les éventuelles réglementations nationales plus détaillées.

Recouvrez de ruban isolant les contacts exposés, et emballez la batterie de sorte qu'elle ne puisse pas se déplacer à l'intérieur de l'emballage.
- Lors de l'élimination de la batterie, retirez-la de l'outil et éliminez-la dans un endroit sûr. Respectez la réglementation locale concernant l'élimination de la batterie.**
- N'utilisez les batteries qu'avec les produits spécifiés par Makita.** Installer les batteries sur des produits non conformes peut entraîner un incendie, une chaleur excessive, une explosion ou une fuite d'électrolyte.
- Si l'outil reste inutilisé pour une période prolongée, la batterie doit en être retirée.**
- Pendant et après l'utilisation, la batterie peut accumuler de la chaleur, ce qui peut causer des brûlures ou des brûlures à basse température.** Faites attention lors de la manipulation des batteries chaudes.
- Ne touchez pas la borne de l'outil immédiatement après l'utilisation, car elle peut être assez chaude pour causer des brûlures.**
- Ne laissez pas les copeaux, les poussières ou la terre se coincer dans les bornes, les trous et les rainures de la batterie.** Cela pourrait causer un réchauffement, un incendie, un éclatement et une défaillance de l'outil ou de la batterie et entraîner des brûlures ou des blessures corporelles.
- À moins que l'outil ne soit compatible avec l'utilisation à proximité des lignes électriques haute tension, n'utilisez pas la batterie à proximité d'une ligne électrique haute tension.** Cela peut entraîner un dysfonctionnement ou une panne de l'outil ou de la batterie.
- Gardez la batterie à l'écart des enfants.**

CONSERVEZ CES INSTRUCTIONS.

⚠ ATTENTION : Utilisez exclusivement les batteries fabriquées par Makita. Les batteries autres que celles fabriquées par Makita ou les batteries modifiées peuvent exploser et causer un incendie, une blessure ou des dommages. Cela annule aussi la garantie Makita de l'outil et du chargeur Makita.

Conseils pour maintenir la durée de service maximale de la batterie

1. Rechargez la batterie avant qu'elle ne soit complètement déchargée. Arrêtez toujours l'outil et rechargez la batterie quand vous remarquez que la puissance de l'outil diminue.
2. Ne rechargez jamais une batterie complètement chargée. La surcharge réduit la durée de service de la batterie.
3. Chargez la batterie à une température ambiante comprise entre 10 °C et 40 °C (50 °F et 104 °F). Si la batterie est chaude, laissez-la refroidir avant de la charger.
4. Lorsque vous n'utilisez pas la batterie, retirez-la de l'outil ou du chargeur.
5. Chargez la batterie si elle est restée inutilisée pendant une période prolongée (plus de six mois).

DESCRIPTION DES PIÈCES

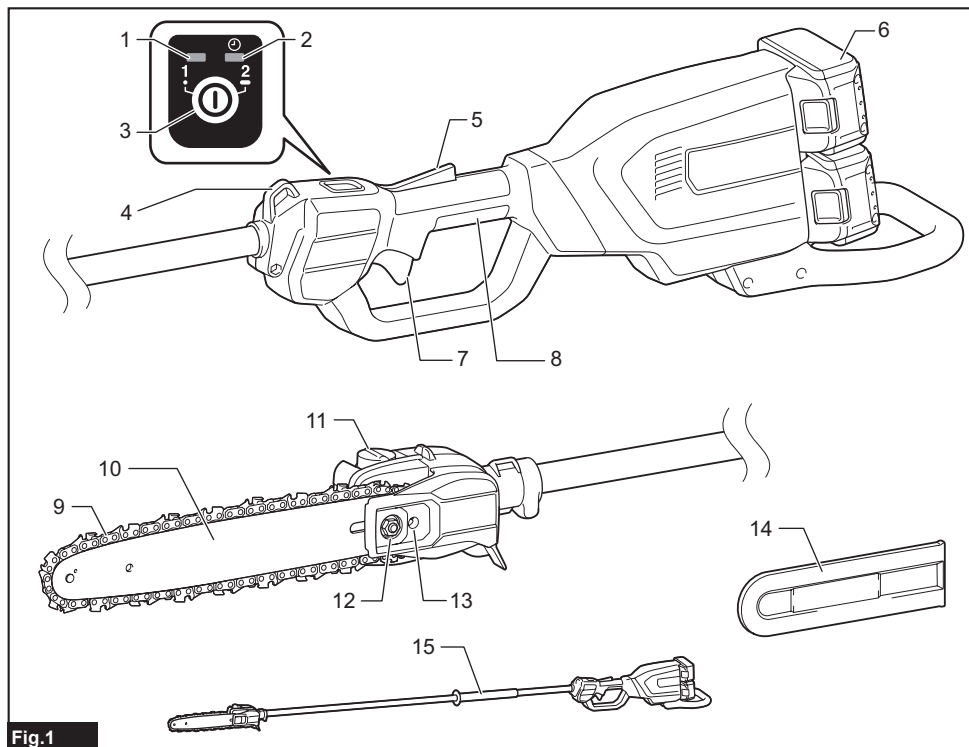


Fig.1

1	Témoin d'alimentation secteur	2	Voyant de mode	3	Interrupteur d'alimentation secteur
4	Attache	5	Levier de sécurité	6	Batterie
7	Gâchette	8	Poignée arrière	9	Chaîne
10	Guide-chaîne	11	Bouchon du réservoir d'huile	12	Écrou de retenue
13	Vis de réglage de la chaîne	14	Protecteur de guide-chaîne	15	Poignée avant

DESCRIPTION DU FONCTIONNEMENT

⚠ ATTENTION : Assurez-vous toujours que l'outil est éteint et que sa batterie est retirée avant de l'ajuster ou de vérifier son fonctionnement.

Installation ou retrait de la batterie

⚠ ATTENTION : Éteignez toujours l'outil avant d'installer ou de retirer la batterie.

⚠ ATTENTION : Tenez fermement l'outil et la batterie lors de l'installation ou du retrait de cette dernière. Si l'outil et la batterie ne sont pas tenus fermement, ils risquent de vous glisser des mains et de subir des dommages, ou encore de vous blesser.

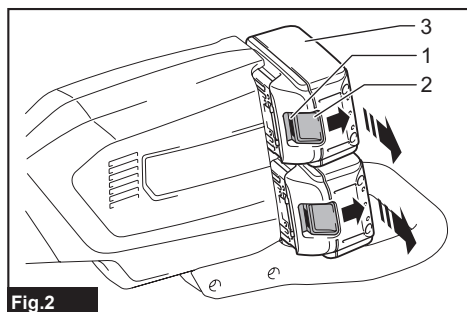


Fig.2

► 1. Indicateur rouge 2. Bouton 3. Batterie

Pour retirer la batterie, faites-la glisser hors de l'outil tout en glissant le bouton qui se trouve à l'avant.

Pour installer la batterie, alignez sa languette sur la rainure pratiquée dans le boîtier et glissez la batterie en place. Insérez-la à fond jusqu'à ce que vous entendiez un léger déclic. Si vous pouvez voir l'indicateur rouge tel qu'illustré sur la figure, cela signifie qu'elle n'est pas complètement verrouillée.

⚠ ATTENTION : Installez toujours la batterie à fond jusqu'à ce que vous ne puissiez plus voir l'indicateur rouge. Autrement elle risque de tomber accidentellement de l'outil et d'entraîner des blessures.

⚠ ATTENTION : Ne forcez pas sur la batterie pour l'installer. Si la batterie ne glisse pas facilement, c'est qu'elle n'est pas insérée correctement.

Affichage de la charge restante de la batterie

Uniquement pour les batteries avec voyant

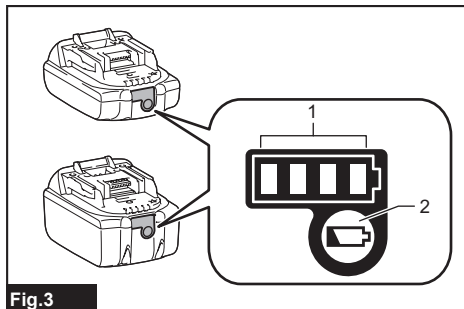


Fig.3

► 1. Témoins indicateurs 2. Bouton de vérification

Appuyez sur le bouton de vérification de la batterie pour afficher la charge restante de la batterie. Les témoins indicateurs s'allument pendant quelques secondes.

Témoins indicateurs			Charge restante
Allumé	Éteint	Clignotant	
■ ■ ■ ■			75 % à 100 %
■ ■ ■ □			50 % à 75 %
■ ■ □ □			25 % à 50 %
■ □ □ □			0 % à 25 %
▣ □ □ □			Chargez la batterie.
■ ■ □ □			La batterie a peut-être mal fonctionné.
□ □ ■ ■			

NOTE : Suivant les conditions d'utilisation et la température ambiante, il se peut que l'indication soit légèrement différente de la charge réelle.

NOTE : La première lampe témoin (à l'extrémité gauche) clignote lorsque le dispositif de protection de la batterie s'active.

Dispositif de protection de l'outil et de la batterie

L'outil est équipé d'un système de protection d'outil/batterie. Ce système coupe automatiquement l'alimentation du moteur pour augmenter la durée de vie de l'outil et de la batterie. L'outil s'arrête automatiquement pendant l'utilisation lorsque l'outil ou la batterie est dans l'une des situations suivantes :

Protection contre la surcharge

Lorsque la batterie est utilisée d'une façon qui lui fait consommer un courant anormalement élevé, l'outil s'arrête automatiquement et le témoin d'alimentation secteur clignote en vert. Dans cette situation, éteignez l'outil et arrêtez l'application qui a causé la surcharge de l'outil. Rallumez ensuite l'outil pour recommencer.

Protection contre la surchauffe

Lorsque la batterie ou l'outil surchauffe, l'outil s'arrête automatiquement et le témoin d'alimentation secteur s'allume en rouge. Le cas échéant, laissez refroidir l'outil et la batterie avant de rallumer l'outil.

NOTE : Dans un environnement à température élevée, la protection contre la surchauffe s'activera probablement et l'outil s'arrêtera automatiquement.

Protection contre la décharge excessive

Lorsque la charge de la batterie est insuffisante, l'outil s'arrête automatiquement et le témoin d'alimentation secteur clignote en rouge. Le cas échéant, retirez la batterie de l'outil et chargez la batterie.

Interrupteur d'alimentation secteur

⚠ MISE EN GARDE : Mettez toujours l'interrupteur d'alimentation secteur en position d'arrêt lorsque vous n'utilisez pas l'outil.

Pour mettre l'outil en marche, appuyez sur l'interrupteur d'alimentation secteur jusqu'à ce que le témoin d'alimentation secteur s'allume en vert. Pour couper le contact, appuyez de nouveau sur l'interrupteur d'alimentation secteur.

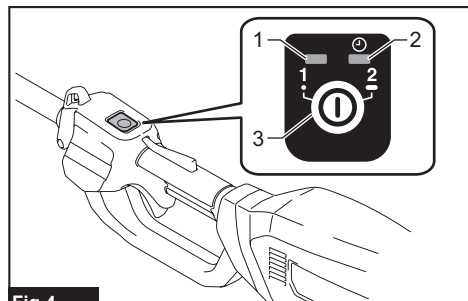


Fig.4

- 1. Témoin d'alimentation secteur 2. Voyant de mode
3. Interrupteur d'alimentation secteur

NOTE : Le témoin d'alimentation secteur clignote en vert lorsque vous mettez l'interrupteur d'alimentation secteur en position de marche tout en maintenant le levier de sécurité abaissé et en appuyant sur la gâchette. Le cas échéant, libérez la gâchette et le levier de sécurité, puis mettez l'interrupteur d'alimentation secteur en position de marche.

NOTE : Cet outil utilise une fonction de mise hors tension automatique. Pour éviter le démarrage accidentel, l'interrupteur d'alimentation secteur se met automatiquement en position d'arrêt au bout d'un certain temps si vous n'appuyez pas sur la gâchette après avoir mis l'interrupteur d'alimentation secteur en position de marche.

Vous pouvez utiliser l'outil en mode d'assistance au couple pour couper les branches épaisses ou les branches dures. Pour utiliser l'outil en mode d'assistance au couple, appuyez sur l'interrupteur d'alimentation secteur pendant quelques secondes alors que l'outil est éteint, jusqu'à ce que le voyant de mode s'allume en vert.

NOTE : Vous pouvez utiliser l'outil jusqu'à 60 secondes en mode d'assistance au couple. Suivant les conditions d'utilisation, ce mode permute sur le mode normal en moins de 60 secondes.

NOTE : Si le voyant de mode clignote en vert lorsque vous appuyez sur l'interrupteur d'alimentation secteur pendant quelques secondes, le mode d'assistance au couple n'est pas disponible. Le cas échéant, suivez les étapes ci-dessous.

- Le mode d'assistance au couple n'est pas disponible juste après l'exécution de la coupe. Patientez pendant plus de 10 secondes, puis appuyez de nouveau sur l'interrupteur d'alimentation secteur pendant quelques secondes.
- Si vous utilisez le mode d'assistance au couple plusieurs fois de suite, son utilisation sera limitée pour protéger la batterie. Si le mode d'assistance au couple n'est pas disponible après avoir patienté pendant plus de 10 secondes, remplacez la batterie par une autre complètement chargée ou rechargez-la.

NOTE : Si le témoin d'alimentation secteur s'allume en rouge ou clignote en rouge ou en vert, reportez-vous aux instructions sur le dispositif de protection de l'outil et de la batterie.

Interrupteur

⚠ MISE EN GARDE : Pour votre sécurité, cet outil est équipé d'un levier de sécurité qui prévient le démarrage accidentel de l'outil. N'utilisez JAMAIS l'outil s'il s'active lorsque vous appuyez simplement sur la gâchette sans enfoncer le levier de sécurité. AVANT de le réutiliser, renvoyez l'outil à notre centre de service après-vente agréé pour faire effectuer les réparations adéquates.

⚠ MISE EN GARDE : Le levier de sécurité ne doit JAMAIS être immobilisé avec du ruban adhésif, ni modifié.

⚠ ATTENTION : Avant d'insérer la batterie dans l'outil, vérifiez toujours que la gâchette fonctionne bien et revient en position d'arrêt lorsque libérée.

AVIS : N'appuyez pas fortement sur la gâchette avant d'avoir enfoncé le levier de sécurité. Vous risqueriez de casser la gâchette.

Un levier de sécurité est fourni pour prévenir l'activation accidentelle de la gâchette. Pour faire démarrer l'outil, enfoncez le levier de sécurité et appuyez sur la gâchette. La vitesse de l'outil augmente à mesure que l'on augmente la pression sur la gâchette. Pour l'arrêter, libérez la gâchette.

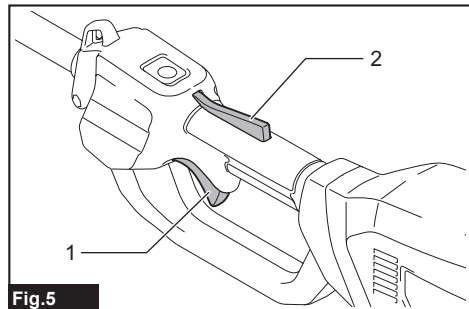


Fig.5

► 1. Gâchette 2. Levier de sécurité

Fonctions électroniques

L'outil est doté de fonctions électroniques qui facilitent son utilisation.

- Commande de vitesse constante
La fonction de commande de vitesse procure une vitesse de rotation constante, quelle que soit la charge.
- Frein électrique
Cet outil est muni d'un frein électrique. Si la libération du levier de la gâchette ne permet jamais d'arrêter promptement l'outil, faites-le réparer dans un centre de service après-vente Makita.

ASSEMBLAGE

⚠ATTENTION : Assurez-vous toujours que l'outil est éteint et que sa batterie est retirée avant d'effectuer tout travail dessus.

⚠ATTENTION : Ne touchez pas la chaîne à mains nues. Portez toujours des gants pour manipuler la chaîne.

Retrait ou installation de la chaîne

⚠ATTENTION : La chaîne et le guide-chaîne sont encore chauds juste après utilisation. Laissez-les refroidir suffisamment avant d'effectuer toute opération sur l'outil.

⚠ATTENTION : Effectuez la procédure d'installation ou de retrait de la chaîne dans un endroit propre sans sciure de bois ou autre.

Pour retirer la chaîne, procédez comme suit :

1. Desserrez la vis de réglage de la chaîne, puis l'écrou de retenue.

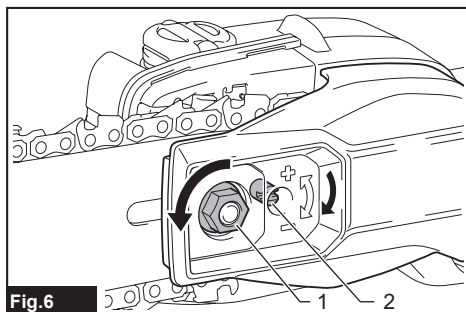


Fig.6

► 1. Écrou de retenue 2. Vis de réglage de la chaîne

2. Retirez le protecteur de pignon, puis retirez la chaîne et le guide-chaîne du corps de l'outil.

Pour installer la chaîne, effectuez les étapes suivantes :

1. Vérifiez le sens de la chaîne. Faites correspondre le sens de la chaîne avec celui de la marque sur le corps de l'outil.
2. Installez une extrémité de la chaîne sur le dessus du guide-chaîne. Installez l'autre extrémité de la chaîne autour du pignon. Assurez-vous que la chaîne est bien installée sur le pignon et dans la rainure du guide-chaîne.
3. Fixez le guide-chaîne au corps de l'outil, en alignant l'orifice du guide-chaîne sur la broche du corps de l'outil.

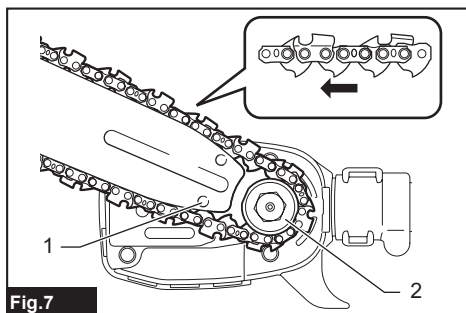


Fig.7

► 1. Orifice 2. Pignon

4. Insérez la partie saillante du protecteur de pignon dans le corps de l'outil, puis fermez le couvercle de sorte que le boulon et la broche du corps de l'outil s'accouplent aux pièces correspondantes sur le couvercle.

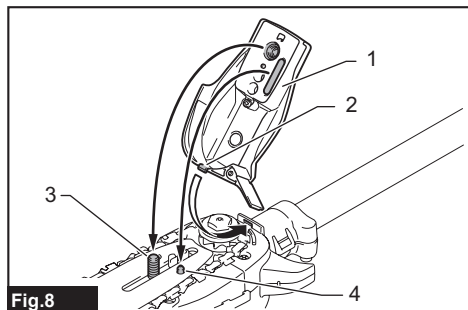


Fig.8

► 1. Protecteur de pignon 2. Partie saillante 3. Boulon 4. Broche

5. Serrez l'écrou de retenue pour fixer le protecteur de pignon, puis desserrez-le un peu pour régler la tension.

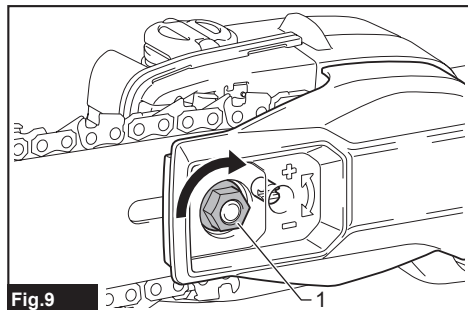


Fig.9

► 1. Écrou de retenue

Réglage de la tension de la chaîne

⚠ ATTENTION : Ne serrez pas excessivement la chaîne. Si la chaîne est excessivement tendue, elle risque de se rompre et d'user le guide-chaîne.

⚠ ATTENTION : Une chaîne trop lâche peut sauter hors du guide et causer une blessure.

Il se peut que la chaîne se desserre après plusieurs heures d'utilisation. De temps à autre, vérifiez la tension de la chaîne avant l'utilisation.

1. Desserrez un peu l'écrou de retenue pour desserrer légèrement le protecteur de pignon.

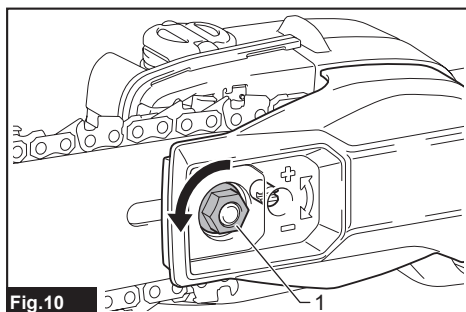


Fig.10

► 1. Écrou de retenue

2. Soulevez légèrement la pointe du guide-chaîne et ajustez la tension de la chaîne. Tournez la vis de réglage de la chaîne dans le sens contraire des aiguilles d'une montre pour serrer, et dans le sens des aiguilles d'une montre pour desserrer.

Serrez la chaîne jusqu'à ce que le côté inférieur de la chaîne rentre dans le rail de guide-chaîne tel qu'illustré.

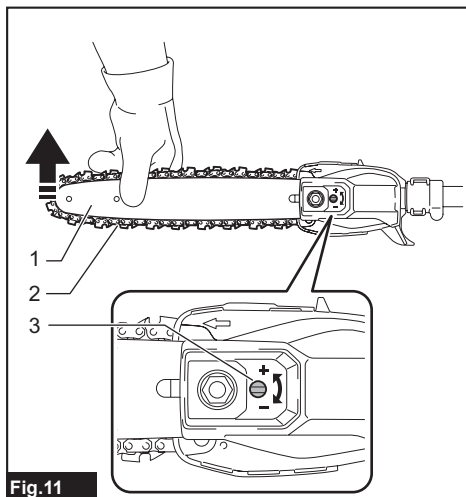


Fig.11

► 1. Guide-chaîne 2. Chaîne 3. Vis de réglage de la chaîne

3. Continuez de tenir légèrement le guide-chaîne et fixez le protecteur de pignon.

Assurez-vous que la chaîne ne se détend pas du côté inférieur.

4. Serrez l'écrou de retenue pour fixer le protecteur de pignon.

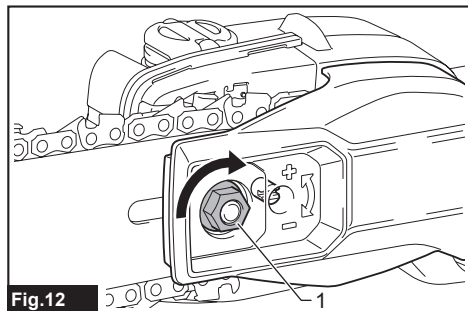


Fig.12

- ▶ 1. Écrou de retenue

Pose ou retrait de l'accessoire en angle

Accessoire en option

⚠ ATTENTION : Avant d'installer ou de retirer l'accessoire en angle, assurez-vous de fixer le protecteur de guide-chaîne sur l'outil.

Vous pouvez changer l'angle de la tête de l'outil en fixant l'accessoire en angle sur l'outil.

1. Fixez le protecteur de guide-chaîne sur l'outil.
2. Desserrez les 2 boulons avec la clé hexagonale, puis retirez le tuyau et les manchons de la tête de l'outil.

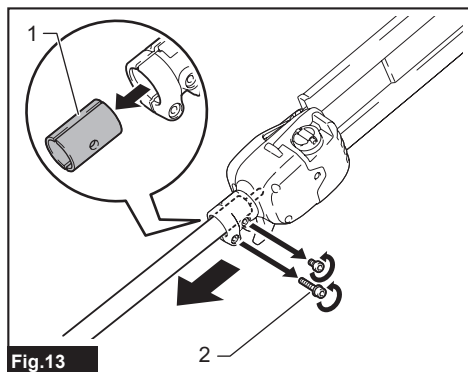


Fig.13

- ▶ 1. Manchon 2. Boulon

3. Retirez les capuchons de l'accessoire en angle.

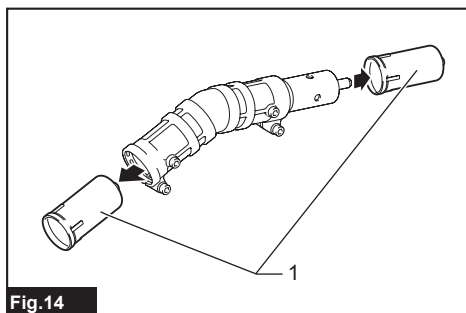


Fig.14

- ▶ 1. Capuchon

4. Alignez l'orifice sur le manchon avec celui sur le tuyau, puis fixez les 2 manchons sur le tuyau. Alignez l'orifice sur le manchon avec celui sur l'accessoire, puis insérez le tuyau sur l'accessoire.

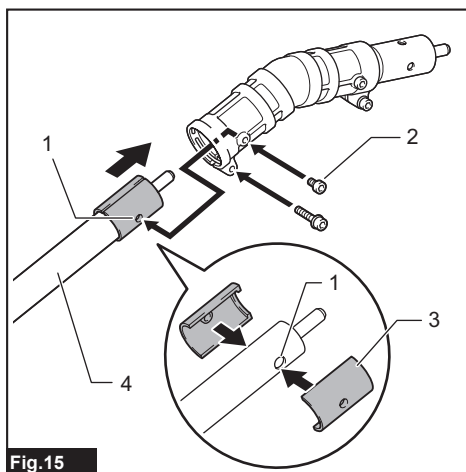


Fig.15

- ▶ 1. Orifice 2. Boulon 3. Manchon 4. Tuyau

5. Serrez les 2 boulons pour fixer l'accessoire.

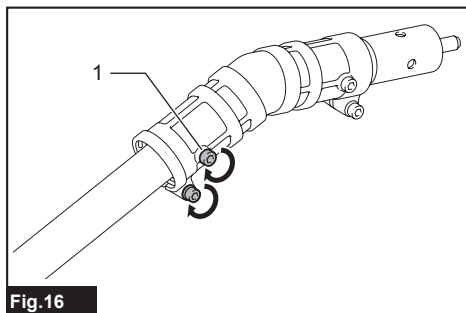


Fig.16

- ▶ 1. Boulon

6. Fixez la tête de l'outil sur l'accessoire.

Pour fixer la tête de l'outil verticalement, fixez l'accessoire en serrant le boulon à l'orifice sur l'accessoire illustré dans la figure, puis serrez l'autre boulon.

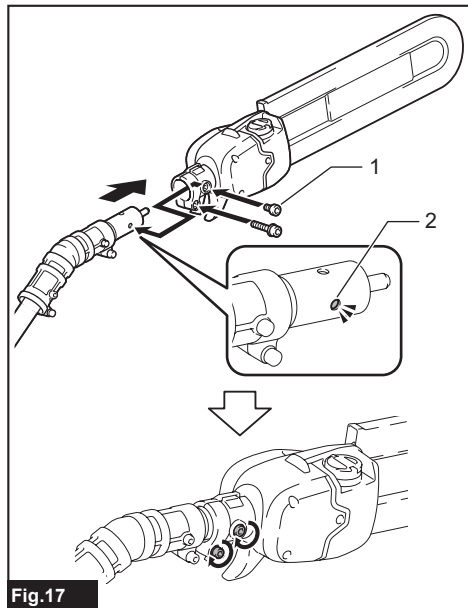


Fig.17

► 1. Boulon 2. Orifice

Pour fixer la tête de l'outil horizontalement, fixez l'accessoire en serrant le boulon à l'orifice sur l'accessoire illustré dans la figure, puis serrez l'autre boulon.

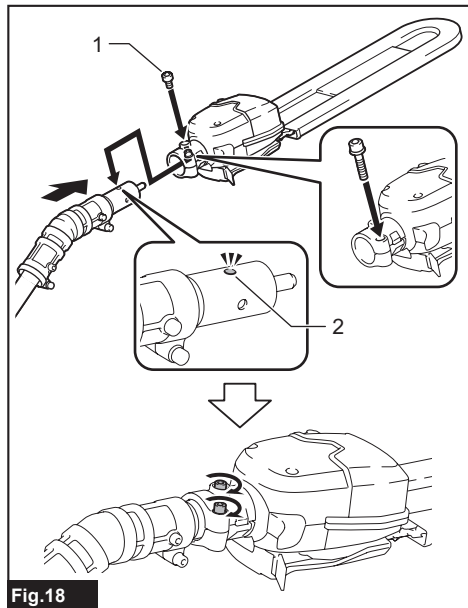


Fig.18

► 1. Boulon 2. Orifice

Pour retirer l'accessoire en angle, effectuez le contraire de la procédure d'installation.

UTILISATION

Lubrification

AVIS : La première fois que vous faites le plein d'huile ou si vous faites le plein d'huile une fois le réservoir complètement vide, versez de l'huile jusqu'au bord inférieur du goulot de remplissage. Autrement l'alimentation en huile risque d'être insuffisante.

AVIS : Utilisez l'huile à chaîne destinée exclusivement aux tronçonneuses Makita ou une autre huile équivalente disponible dans le commerce.

AVIS : N'utilisez jamais de l'huile contaminée par la poussière ou des particules, ni de l'huile volatile.

AVIS : Utilisez de l'huile d'origine végétale pour l'élagage des arbres. Les huiles d'origine minérale peuvent nuire aux arbres.

AVIS : Avant d'effectuer la coupe, assurez-vous que le bouchon du réservoir d'huile fourni est vissé en place.

La lubrification de la chaîne s'effectue automatiquement pendant que l'outil tourne. Vérifiez régulièrement la quantité d'huile restante dans le réservoir d'huile.

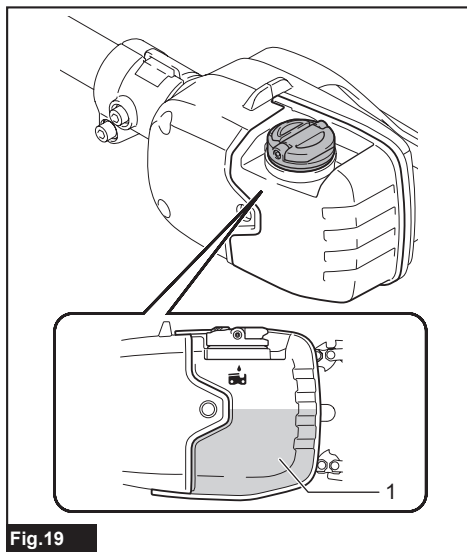


Fig.19

► 1. Réservoir d'huile

Pour remplir le réservoir, mettez l'outil sur une surface plane, appuyez sur le bouton du bouchon du réservoir d'huile de sorte que le bouton remonte de l'autre côté, puis retirez le bouchon du réservoir d'huile en le tournant.

La quantité adéquate d'huile est de 160 ml (5,4 fl oz). Après avoir rempli le réservoir, assurez-vous que le bouchon du réservoir d'huile est bien serré.

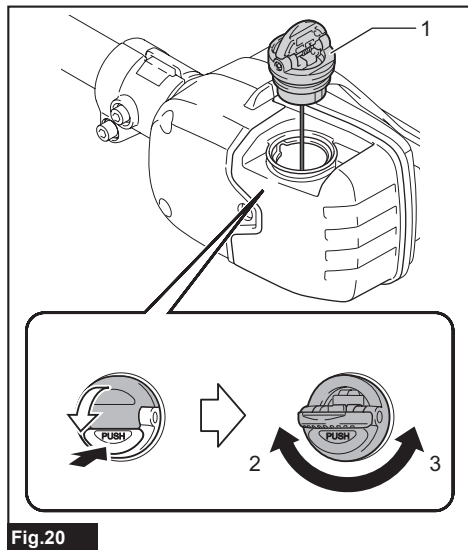


Fig.20

- 1. Bouchon du réservoir d'huile 2. Serrer
- 3. Desserrer

NOTE : S'il est difficile de retirer le bouchon du réservoir d'huile, insérez la clé polygonale dans la fente du bouchon puis retirez le bouchon en le tournant dans le sens contraire des aiguilles d'une montre.

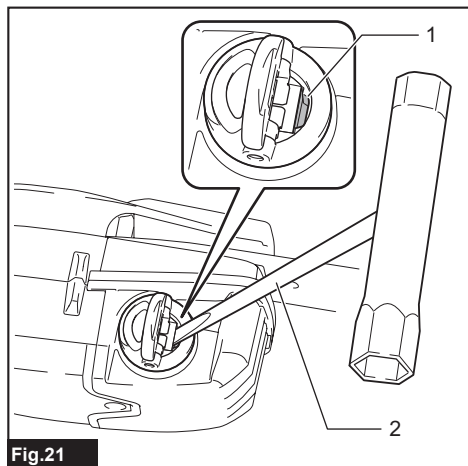


Fig.21

- 1. Fente 2. Clé polygonale

Après le remplissage, tenez l'outil à l'écart de l'arbre. Faites-le démarrer et attendez que la chaîne soit adéquatement lubrifiée.

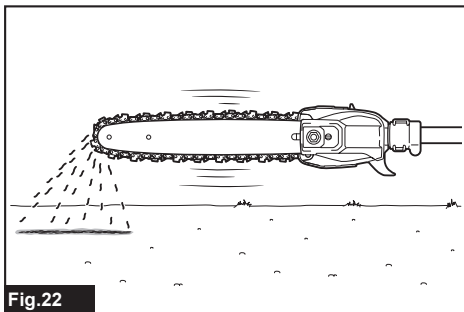


Fig.22

Pose de la sangle d'épaule

ATTENTION : Lorsque vous utilisez l'outil en combinaison avec une source d'alimentation de type sac à dos, telle que le support d'alimentation portable, n'utilisez pas la sangle d'épaule fournie dans l'emballage de l'outil; utilisez plutôt la bande de suspension recommandée par Makita.

Si vous enflez en même temps la sangle d'épaule fournie dans l'emballage de l'outil et la sangle d'épaule d'une source d'alimentation de type sac à dos, il sera difficile de retirer l'outil ou la source d'alimentation de type sac à dos en cas d'urgence, et cela peut entraîner un accident ou une blessure. Au sujet de la bande de suspension recommandée, informez-vous auprès de votre centre de service après-vente agréé Makita.

ATTENTION : Utilisez toujours la sangle d'épaule fixée à l'outil. Avant d'exécuter le travail, ajustez la sangle d'épaule à votre taille pour éviter de vous fatiguer.

ATTENTION : Avant l'utilisation, assurez-vous que la sangle d'épaule est fixée correctement à l'attache sur l'outil.

ATTENTION : Avant l'utilisation, assurez-vous que la bouche de la sangle d'épaule est fermement fixée.

ATTENTION : Utilisez toujours la sangle d'épaule conçue spécialement pour cet outil. N'utilisez pas d'autres sangles d'épaule.

1. Enflez la sangle d'épaule et serrez la boucle.

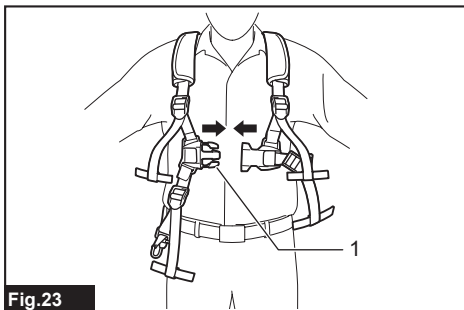


Fig.23

- 1. Boucle

NOTE : Lorsque vous retirez la sangle d'épaule, déverrouillez la boucle puis retirez la sangle d'épaule.

- Réglez la sangle d'épaule pour une position de travail confortable.

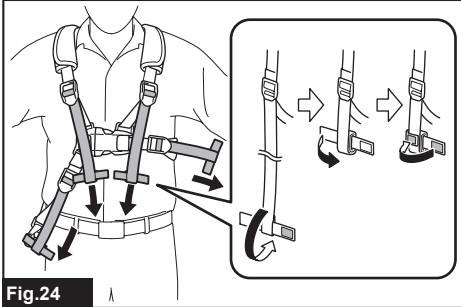


Fig.24

- Fixez le crochet de la sangle d'épaule à l'attache de l'outil.

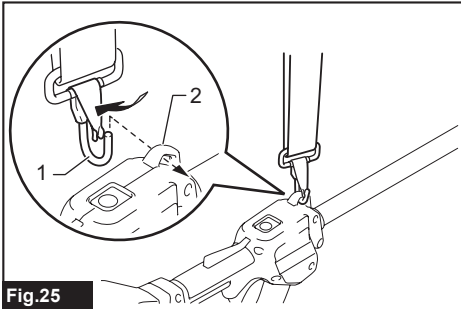


Fig.25

- 1. Crochet 2. Attache

La sangle d'épaule est dotée d'un dispositif de libération rapide. Pressez simplement les côtés de la boucle pour libérer la sangle d'épaule.

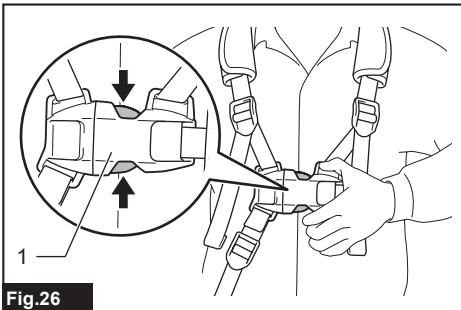


Fig.26

- 1. Boucle

Utilisation de l'outil

ATTENTION : Lorsque le moteur tourne, gardez toute partie du corps à l'écart de la chaîne.

ATTENTION : Tenez l'outil fermement à deux mains pendant que le moteur tourne.

ATTENTION : Ne tendez pas trop les bras. Assurez-vous d'une bonne prise au sol et d'une bonne position d'équilibre en tout temps.

ATTENTION : Lorsque vous coupez à travers des branches, prenez garde de perdre l'équilibre sous le poids de la tête de l'outil.

ATTENTION : Prévoyez toujours une voie de retraite au cas où la branche coupée tomberait vers vous.

ATTENTION : N'utilisez jamais la pointe du guide-chaîne pour effectuer la coupe. Autrement, un dangereux recul risque de se produire et d'entraîner une blessure.

AVIS : Ne lancez jamais l'outil et ne le laissez jamais tomber.

AVIS : Ne couvrez pas les événements de l'outil.

AVIS : Ne forcez pas l'outil. Autrement, vous risquez d'endommager l'outil.

Tenez-vous sur une surface stable, et tenez l'outil à l'écart des branches de sorte que l'angle de l'outil par rapport au sol horizontal soit de 60° ou moins.

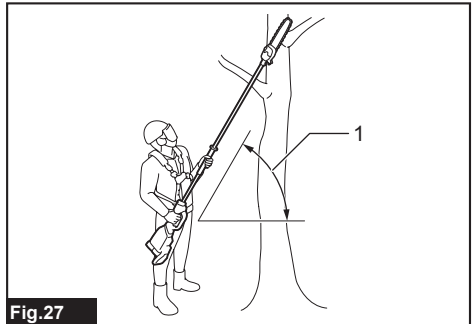


Fig.27

- 1. 60° ou moins

Démarrez l'outil, puis appuyez la chaîne légèrement contre la branche.

Lorsque vous coupez des branches longues, divisez-les en sections et coupez-les à partir de l'extrémité de la branche pour contrôler la position de chute des branches coupées. Prêtez attention aux branches qui tombent, car elles peuvent rebondir vers vous après avoir heurté le sol.

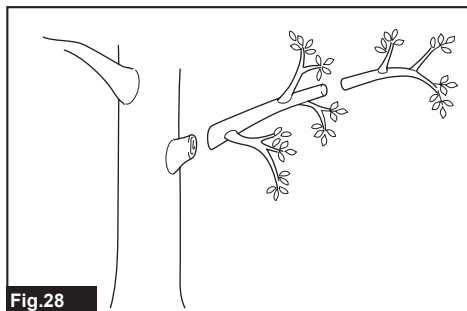


Fig.28

Lorsque vous coupez des branches épaisses, pratiquez d'abord une légère encoche par le dessous, puis terminez la coupe par le dessus.

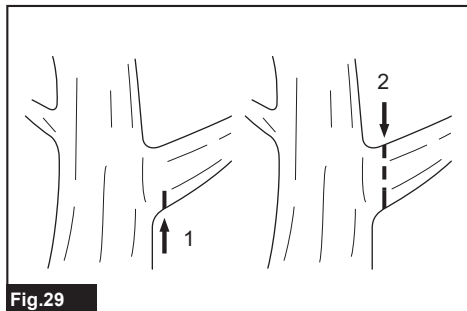


Fig.29

Si vous essayez de couper une branche épaisse par le dessous, celle-ci risque de se refermer sur la chaîne et de la coincer dans le trait de coupe. Si vous essayez de couper une branche épaisse par le dessus sans avoir pratiqué une légère encoche par le dessous, la branche risque de se fendre.

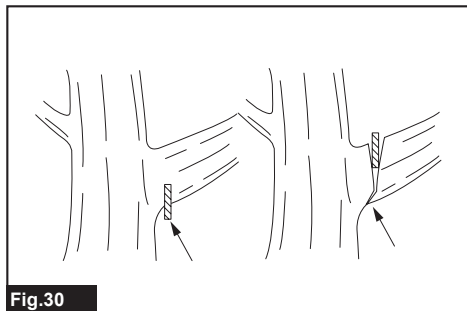


Fig.30

Transport de l'outil

Avant de transporter l'outil, retirez toujours la batterie puis fixez le protecteur de guide-chaîne. Recouvrez également la batterie avec le couvre-batterie.

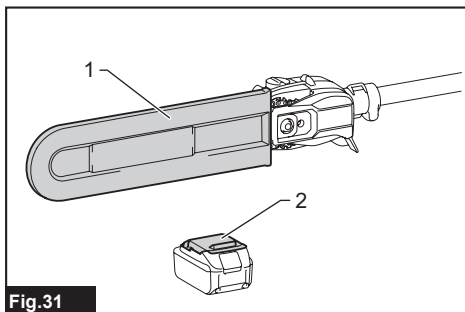


Fig.31

► 1. Protecteur de guide-chaîne 2. Couvre-batterie

Utilisation de l'outil avec un support d'alimentation portable

Accessoire en option

Utilisez la bande de suspension lorsque vous utilisez l'outil avec un support d'alimentation portable.

Fixation de la bande de suspension

1. Fixez les crochets de la bande de suspension aux anneaux de la sangle d'épaule ou de la ceinture de taille tel qu'indiqué sur la figure. Sélectionnez le type de bande et la méthode de connexion qui conviennent à l'usage prévu.

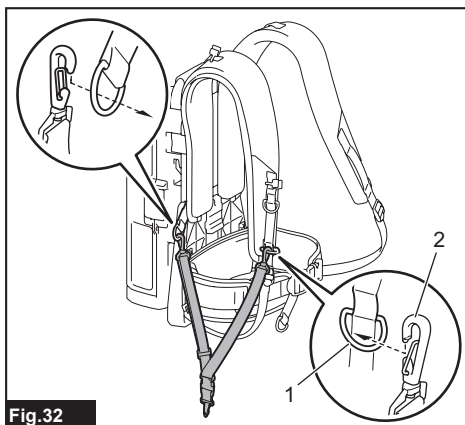


Fig.32

► 1. Anneau 2. Crochet

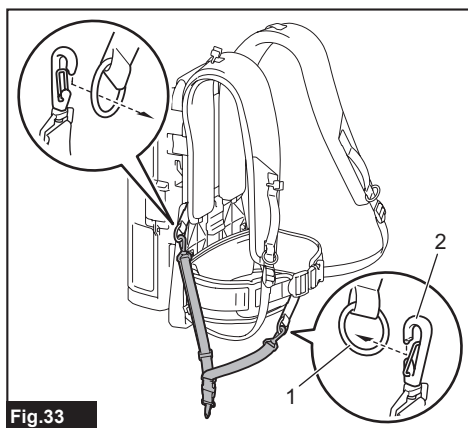


Fig.33

► 1. Anneau 2. Crochet

2. Fixez le crochet à l'outil.

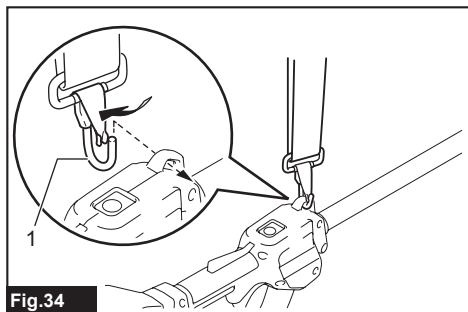


Fig.34

► 1. Crochet

Retrait de l'outil

Lorsque vous déposez l'outil au sol, utilisez une main pour déverrouiller la boucle de la bande de suspension pendant que vous tenez l'outil de l'autre main.

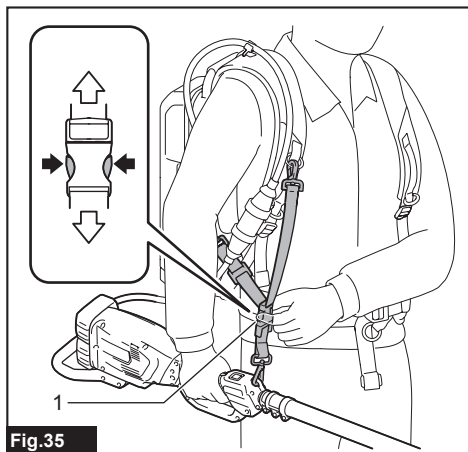


Fig.35

► 1. Boucle

NOTE : Il se peut qu'il n'y ait pas de boucle, suivant le type de bande.

Si vous devez libérer l'outil rapidement, suivez les étapes ci-dessous.

1. Enfoncez les leviers sur la boucle de la ceinture de taille pour déverrouiller la boucle.

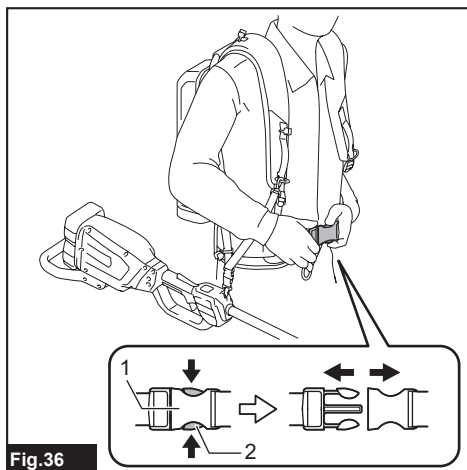


Fig.36

► 1. Boucle 2. Levier

2. Enlevez la sangle d'épaule pour libérer l'outil et l'appareil.

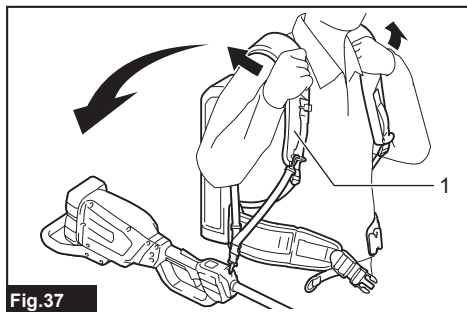


Fig.37

► 1. Sangle d'épaule

ENTRETIEN

ATTENTION : Assurez-vous toujours que l'outil est hors tension et que la batterie est retirée avant d'y effectuer tout travail d'inspection ou d'entretien.

ATTENTION : Portez toujours des gants pour effectuer tout travail d'inspection ou d'entretien.

AVIS : N'utilisez jamais d'essence, de benzine, de solvant, d'alcool ou autres produits similaires. Une décoloration, une déformation ou la formation de fissures peuvent en découler.

Pour maintenir la SÉCURITÉ et la FIABILITÉ du produit, les réparations et tout autre travail d'entretien ou de réglage doivent être effectués dans un centre de service après-vente autorisé ou une usine Makita, exclusivement avec des pièces de rechange Makita.

Affûtage de la chaîne

Affûtez la chaîne lorsque :

- Une sciure de bois farineuse est produite lors de la coupe du bois humide ;
- La chaîne pénètre avec difficulté dans le bois, même si vous appliquez une forte pression ;
- Le bord coupant est de toute évidence endommagé ;
- La tronçonneuse tire vers la gauche ou la droite dans le bois. (Cela est dû à un mauvais affûtage de la chaîne ou au fait qu'elle est endommagée d'un côté seulement.)

Affûtez la chaîne souvent, mais juste un peu chaque fois. Pour un affûtage de routine, deux ou trois passes avec une lime suffisent généralement. Après plusieurs affûtages de la chaîne, faites-la affûter par notre centre de service après-vente agréé.

Critère d'affûtage :

⚠ MISE EN GARDE : Une distance excessive entre le bord coupant et la jauge de profondeur augmente le risque de contrecoup.

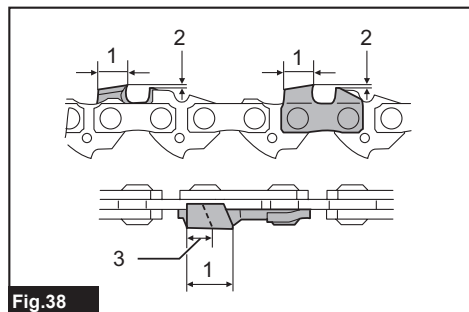


Fig.38

► 1. Longueur d'arête 2. Distance entre le bord coupant et la jauge de profondeur 3. Longueur d'arête minimale (3 mm (1/8"))

- La longueur d'arête doit être uniforme. Les arêtes de différente longueur empêchent la chaîne de tourner sans à-coups et peuvent entraîner le bris de la chaîne.
- N'affûtez pas la chaîne lorsque la longueur d'arête n'est plus que de 3 mm (1/8") ou moins. La chaîne doit être remplacée par une neuve.
- La profondeur de coupe est déterminée par la distance entre la jauge de profondeur (le nez rond) et le bord coupant.
- Les meilleurs résultats de coupe sont obtenus avec la distance suivante entre le bord coupant et la jauge de profondeur.
 - Lame de tronçonneuse 90PX : 0,65 mm (1/32")
 - Lame de tronçonneuse 91PX : 0,65 mm (1/32")

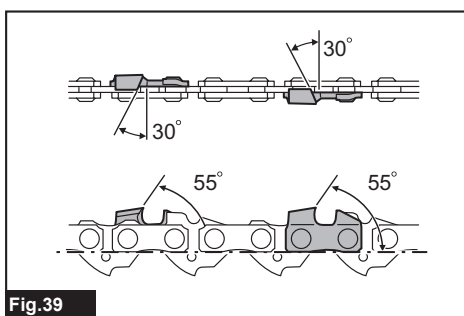


Fig.39

- L'angle d'affûtage de 30° doit être le même sur toutes les arêtes. Les angles d'arête différents rendent le fonctionnement de la tronçonneuse grossier et inégal, accélèrent l'usure et entraînent des bris de chaîne.
- Utilisez une lime ronde adéquate, de manière à maintenir un angle d'affûtage adéquat sur les dents.
 - Lame de tronçonneuse 90PX : 55°
 - Lame de tronçonneuse 91PX : 55°

Lime et guidage de la lime

- Pour affûter la chaîne, utilisez une lime ronde conçue spécialement pour les chaînes de tronçonneuse (accessoire en option). Il est préférable de ne pas utiliser une lime ronde ordinaire.
- Les diamètres de lime ronde pour chaque chaîne sont les suivants :
 - Lame de tronçonneuse 90PX : 4,5 mm (3/16")
 - Lame de tronçonneuse 91PX : 4,0 mm (5/32")
- La lime ne doit pénétrer l'arête que dans son mouvement vers l'avant. Soulevez la lime pour qu'elle ne touche pas l'arête dans son mouvement de retour.
- Affûtez d'abord la plus courte arête. La longueur de cette arête la plus courte devient la norme pour toutes les autres arêtes de la chaîne.
- Guidez la lime de la façon indiquée sur la figure.

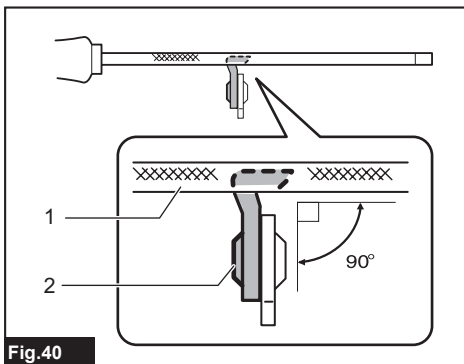


Fig.40

► 1. Lime 2. Chaîne

- Il sera plus facile de guider la lime si vous utilisez le porte-lime (accessoire en option). Le porte-lime porte des indications pour le réglage correct de l'angle d'affûtage sur 30° (alignez les indications parallèlement à la chaîne), et il limite la profondeur de pénétration (jusqu'au 4/5 du diamètre de la lime).

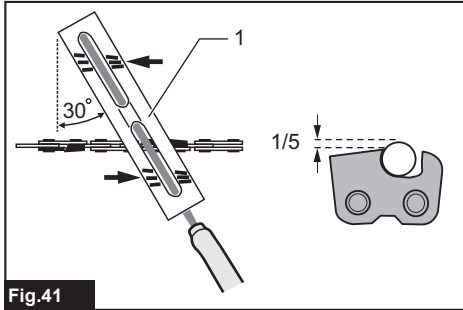


Fig.41

- 1. Porte-lime

- Après l'affûtage de la chaîne, vérifiez la hauteur de la jauge de profondeur au moyen de l'outil pour jauge de chaîne (accessoire en option).

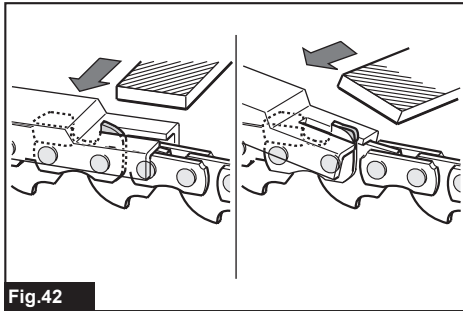


Fig.42

- Retirez toutes les parties saillantes, même les petites, au moyen d'une lime plate spéciale (accessoire en option).
- Arrondissez à nouveau la partie avant de la jauge de profondeur.

Nettoyage du guide-chaîne

Les copeaux et la sciure de bois s'accumulent dans la rainure du guide-chaîne. Ils peuvent boucher la rainure du guide et empêcher l'huile de circuler. Enlevez les copeaux et la sciure de bois chaque fois que vous affûtez ou remplacez la chaîne.

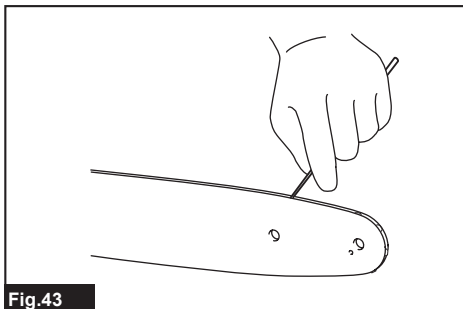


Fig.43

Nettoyage du protecteur de pignon

Les copeaux et la sciure de bois s'accumulent à l'intérieur du protecteur de pignon. Retirez le protecteur de pignon et la chaîne de l'outil, puis enlevez les copeaux et la sciure de bois.

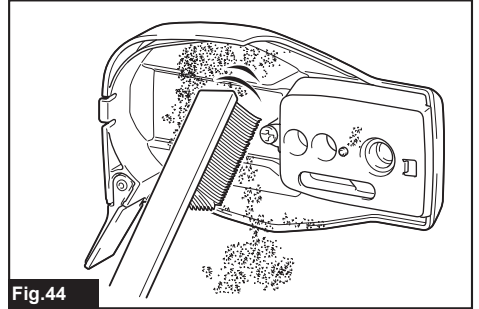


Fig.44

Nettoyage de l'orifice de vidange d'huile

De fines poussières ou des particules peuvent s'accumuler dans l'orifice de vidange d'huile pendant l'utilisation. Ces poussières ou particules peuvent ralentir le débit d'huile et causer une lubrification insuffisante sur l'ensemble de la chaîne. Lorsque l'alimentation en huile ne s'effectue pas correctement sur la partie supérieure du guide-chaîne, nettoyez l'orifice de vidange d'huile en procédant comme suit.

1. Retirez le protecteur de pignon et la chaîne de l'outil.
2. Enlevez les fines poussières ou les particules à l'aide d'un tournevis plat ou d'un objet similaire.

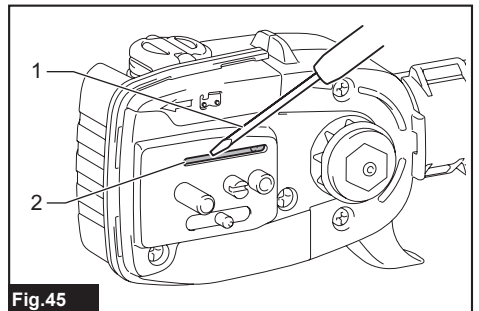


Fig.45

- 1. Tournevis plat 2. Orifice de vidange d'huile
3. Insérez la batterie dans l'outil. Appuyez sur la gâchette pour faire une vidange d'huile et faire sortir les poussières et particules accumulées dans l'orifice de vidange d'huile.
 4. Retirez la batterie de l'outil. Remettez en place le protecteur de pignon et la chaîne sur l'outil.

Remplacement du pignon

⚠ ATTENTION : Un pignon usé endommagera la chaîne neuve. Remplacez le pignon s'il est usé.

Avant d'installer une chaîne neuve, vérifiez l'état du pignon. Si le pignon est usé ou endommagé, demandez à votre centre de service après-vente agréé Makita de le remplacer.

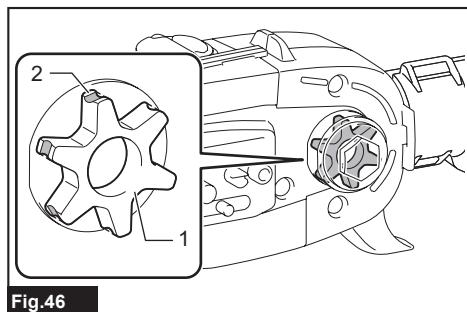


Fig.46

► 1. Pignon 2. Zones qui s'usent

Rangement de l'outil

1. Nettoyez l'outil avant de le ranger. Retirez les copeaux et la sciure de bois qui recouvrent l'outil après avoir enlevé le protecteur de pignon.
2. Après avoir nettoyé l'outil, faites-le tourner à vide afin de lubrifier la chaîne et le guide-chaîne.
3. Recouvrez le guide-chaîne du protecteur de guide-chaîne.
4. Videz le réservoir d'huile.

Instructions pour entretien périodique

Pour garantir la longue durée de vie de l'outil, éviter de l'endommager et assurer le bon fonctionnement des fonctions de sécurité, l'entretien suivant doit être effectué régulièrement. Les réclamations sous garantie ne peuvent être reconnues que si cette tâche est effectuée régulièrement et correctement. Si l'entretien indiqué n'est pas effectué, il y a risque d'accident ! L'utilisateur de l'outil ne doit pas effectuer des tâches d'entretien qui ne sont pas décrites dans le manuel d'instructions. Ces tâches doivent être effectuées par notre centre de service après-vente agréé.

Élément à vérifier / Temps d'utilisation		Avant l'utilisation	Chaque jour	Chaque semaine	Tous les 3 mois	Chaque année	Avant le rangement
Outil complet	Inspection	✓	-	-	-	-	-
	Nettoyage	-	✓	-	-	-	-
	Vérification au centre de service après-vente agréé	-	-	-	-	✓	✓
Chaîne	Inspection	✓	-	-	-	-	-
	Affûtage si nécessaire	-	-	-	-	-	✓
Guide-chaîne	Inspection	✓	✓	-	-	-	-
	Retirez de l'outil.	-	-	-	-	-	✓
Lubrification de la chaîne	Vérifier le débit d'huile.	✓	-	-	-	-	-
Gâchette	Inspection	✓	-	-	-	-	-
Levier de sécurité	Inspection	✓	-	-	-	-	-
Bouchon du réservoir d'huile	Vérifier le serrage.	✓	-	-	-	-	-
Vis et écrous	Inspection	-	-	✓	-	-	-

DÉPANNAGE

Avant de faire une demande de réparation, faites d'abord votre propre inspection. Si vous rencontrez un problème non indiqué dans ce manuel, n'essayez pas de démonter l'outil. Demandez plutôt à un centre de service après-vente Makita agréé de faire la réparation avec des pièces de rechange Makita.

État de dysfonctionnement	Cause	Mesure à prendre
L'outil ne démarre pas.	La batterie n'est pas installée.	Installez une batterie chargée.
	Problème de batterie (faible tension)	Rechargez les batteries. Si la recharge est inefficace, remplacez la batterie.
	L'interrupteur d'alimentation secteur est en position d'arrêt.	L'outil s'éteint automatiquement s'il reste inutilisé pendant un certain temps. Remettez l'interrupteur d'alimentation secteur en position de marche.
Le moteur cesse de tourner au bout d'un bref moment d'utilisation.	Le niveau de charge de la batterie est bas.	Rechargez les batteries. Si la recharge est inefficace, remplacez la batterie.
Absence d'huile sur la chaîne	Le réservoir d'huile est vide.	Remplissez le réservoir d'huile.
	La rainure-guide d'huile est sale.	Nettoyez la rainure.
	Mauvaise alimentation en huile	Réglez la quantité d'alimentation en huile à l'aide de la vis de réglage.
L'outil n'atteint pas son régime maximal.	La batterie ne sont pas bien installées.	Installez les batteries tel que décrit dans ce manuel.
	La puissance de la batterie diminue.	Rechargez la batterie. Si la recharge est inefficace, remplacez la batterie.
	Le dispositif d'entraînement ne fonctionne pas bien.	Faites une demande de réparation au centre de service après-vente agréé de votre localité.
Le témoin d'alimentation secteur clignote en vert.	Vous appuyez sur la gâchette dans des conditions où l'outil n'est pas utilisable.	Appuyez sur la gâchette après avoir mis l'interrupteur d'alimentation secteur en position de marche.
Vibrations anormales : Arrêtez l'outil immédiatement !	Guide-chaîne ou chaîne lâche	Réglez la tension du guide-chaîne et de la chaîne.
	Mauvais fonctionnement de l'outil	Faites une demande de réparation au centre de service après-vente agréé de votre localité.
Le mode d'assistance au couple n'est pas disponible après le remplacement de la batterie par une autre complètement chargée.	Dans certaines conditions d'utilisation, le mode d'assistance au couple n'est pas disponible après le remplacement de la batterie.	Utilisez l'outil en mode normal jusqu'à ce que la batterie installée s'épuise, puis remplacez-la par une autre complètement chargée ou rechargez-la.
La chaîne ne peut être installée.	La combinaison de chaîne et de pignon est incorrecte.	Utilisez la bonne combinaison de chaîne et de pignon en vous reportant à la section des spécifications.

ACCESSOIRES EN OPTION

ATTENTION : Ces accessoires ou pièces complémentaires sont recommandés pour l'utilisation avec l'outil Makita spécifié dans ce manuel. L'utilisation de tout autre accessoire ou pièce complémentaire peut comporter un risque de blessure. N'utilisez les accessoires ou pièces complémentaires qu'aux fins auxquelles ils ont été conçus.

Si vous désirez obtenir plus de détails sur ces accessoires, veuillez contacter le centre de service après-vente Makita le plus près.

- Chaîne
- Guide-chaîne
- Protecteur de guide-chaîne
- Accessoire en angle
- Lime
- Chargeur et batterie authentiques Makita

MISE EN GARDE : Si vous achetez un guide-chaîne d'une longueur différente de celle du guide-chaîne standard, achetez également un protecteur de guide-chaîne adéquat. Une fois installé, il doit recouvrir parfaitement le guide-chaîne de l'outil.

NOTE : Certains éléments de la liste peuvent être inclus avec l'outil comme accessoires standards. Ils peuvent varier suivant les pays.

GARANTIE LIMITÉE MAKITA

Pour les conditions de garantie en vigueur qui s'appliquent à ce produit, veuillez vous reporter à la feuille de garantie en annexe. Si la feuille de garantie en annexe n'est pas disponible, reportez-vous aux détails de la garantie présentés sur le site Web de votre pays, ci-dessous.

États-Unis d'Amérique: www.makitatools.com
Canada: www.makita.ca
Autres pays: www.makita.com

ESPECIFICACIONES

Modelo:		DUA250
Longitud total (sin la barra de guía y el aditamento)		2 235 mm (88")
Tensión nominal		36 V c.c.
Peso neto		6,1 kg - 7,3 kg (13,4 lbs - 16,1 lbs)
Longitud de la barra de guía estándar		250 mm (10")
Longitud recomendada de la barra de guía	con la 90PX	250 mm (10")
	con la 91PX	250 mm (10")
Tipo de cadena de la sierra aplicable (consulte la tabla a continuación)		90PX 91PX
Pieza dentada estándar	Número de dientes	6
	Paso	3/8"
Velocidad de la cadena		0 m/s - 20 m/s (0 m/min - 1 200 m/min) (0 ft/min - 3 940 ft/min)
Volumen del tanque de aceite para la cadena		160 cm ³ (5,4 fl oz)

- Debido a nuestro continuo programa de investigación y desarrollo, las especificaciones aquí incluidas están sujetas a cambio sin previo aviso.
- Las especificaciones pueden variar de país a país.
- El peso puede variar en función de los accesorios, incluido el cartucho de batería. En la tabla se muestra la combinación de peso más ligero y más pesado conforme al procedimiento 01/2014 de EPTA.

Cartucho de batería y cargador aplicables

Cartucho de batería	BL1820B / BL1830 / BL1830B / BL1840B / BL1850B / BL1860B
Cargador	DC18RC / DC18RD / DC18RE / DC18SD / DC18SE / DC18SF / DC18SH

- Algunos de los cartuchos de batería y cargadores enumerados arriba podrían no estar disponibles dependiendo de su área de residencia.

⚠ ADVERTENCIA: Use únicamente los cartuchos de batería y los cargadores indicados arriba. El uso de cualquier otro cartucho de batería y cargador podría ocasionar una lesión y/o un incendio.

Fuente de alimentación conectada por cable recomendada

Unidad portátil de alimentación eléctrica	PDC01 / PDC1200
---	-----------------

- La o las fuentes de alimentación conectadas por cable enumeradas arriba podrían no estar disponibles dependiendo de su área de residencia.
- Antes de utilizar la fuente de alimentación conectada por cable, lea las instrucciones e indicaciones de precaución sobre ellas.

Combinación de cadena de la sierra, barra de guía y pieza dentada

Tipo de cadena de la sierra		90PX
Número de eslabones motorices		40
Barra de guía	Longitud de la barra de guía	250 mm (10")
	Longitud de corte	240 mm (9-1/2")
	Paso	3/8"
	Calibre	1,1 mm (0,043")
	Tipo	Barra dentada
Pieza dentada	Número de dientes	6
	Paso	3/8"

Tipo de cadena de la sierra		91PX
Número de eslabones motorices		40
Barra de guía	Longitud de la barra de guía	250 mm (10")
	Longitud de corte	240 mm (9-1/2")
	Paso	3/8"
	Calibre	1,3 mm (0,050")
	Tipo	Barra dentada
Pieza dentada	Número de dientes	6
	Paso	3/8"

⚠ ADVERTENCIA: Utilice una combinación apropiada de la barra de guía y cadena de la sierra. De lo contrario, esto podría ocasionar una lesión personal.

ADVERTENCIAS DE SEGURIDAD

Instrucciones importantes de seguridad

⚠ ADVERTENCIA: No la opere cerca de cables eléctricos. La unidad no ha sido diseñada para brindar protección contra descargas eléctricas en caso de contacto con líneas eléctricas aéreas. Consulte las leyes locales para conocer las distancias seguras de las líneas de energía eléctrica aéreas, y asegúrese de que la posición de operación sea segura y firme antes de operar la podadora de extensión con cadena de la sierra.

⚠ ADVERTENCIA: Al utilizar aparatos eléctricos de jardinería, siempre deben tomarse en cuenta las precauciones básicas de seguridad a fin de reducir el riesgo de incendio, descarga eléctrica y lesiones personales, incluyendo lo siguiente:

LEA TODAS LAS INSTRUCCIONES.

1. **Evite los entornos peligrosos** - No utilice los aparatos en lugares húmedos o mojados.
2. **No usar bajo la lluvia.**
3. **Mantenga a los niños alejados** - Todos los visitantes deberán ser mantenidos a cierta distancia del área de trabajo.
4. **Lleve una vestimenta adecuada** - No use ropa floja ni alhajas. Éstas podrían engancharse en las piezas móviles. Cuando se trabaje en exteriores es recomendable usar guantes de hule y un calzado resistente. Lleve protección en el cabello para cubrirlo en caso de tenerlo largo.
5. **Use gafas de seguridad:** siempre utilice careta o máscara contra polvo si la operación es polvorienta.
6. **Use el aparato indicado** - No utilice el aparato para cualquier trabajo excepto para el que ha sido diseñado.
7. **Evite el encendido accidental** - No transporte el aparato con el dedo puesto en el interruptor. Asegúrese de que el interruptor esté apagado antes de insertar la batería.

8. **No agarre las cuchillas ni los bordes de corte expuestos al levantar o sostener el aparato.**
9. **No fuerce el aparato** - Éste realizará la tarea mejor y con menos probabilidad de ocasionar una lesión a la velocidad para la que fue diseñado.
10. **No utilice el aparato donde no alcance** - Mantenga los pies sobre suelo firme y el equilibrio en todo momento.
11. **Manténgase alerta** - Preste atención a lo que está haciendo. Utilice su sentido común. No utilice el aparato cuando esté cansado.
12. **Guarde los aparatos que no use en interiores** - Cuando no se estén utilizando, los aparatos deberán guardarse en interiores en un lugar seco, alto o cerrado con llave lejos del alcance de los niños.
13. **Dé un mantenimiento cuidadoso al aparato:** mantenga el borde de corte afilado y limpio para lograr un desempeño óptimo y reducir así el riesgo de lesiones. Siga las instrucciones para lubricar y cambiar los accesorios. Mantenga los mangos secos, limpios, y libres de aceite y grasa.
14. **Inspeccione las piezas dañadas** - Si un protector u otra pieza están dañados, antes de seguir utilizando el aparato deberá revisarlos cuidadosamente para cerciorarse de que van a funcionar correctamente y realizar el trabajo para el que fueron diseñados. Revise que no haya piezas móviles desalineadas o estancadas, piezas rotas, la instalación y cualquier otra condición que pueda afectar su funcionamiento. Cualquier protector o pieza dañada deberá ser debidamente reparada o reemplazada por un centro de servicio autorizado, aunque no se indique en este manual.
15. **Mantenga todas las partes del cuerpo alejadas de la cadena de la sierra. No retire ni sostenga el material que va a cortar cuando las cuchillas estén en movimiento. Asegúrese de que el interruptor se encuentre apagado antes de despejar el material atascado.** La cadena de la sierra continúa moviéndose después de apagar el interruptor. Un momento de distracción mientras opera la podadora de alcance extendido podría ocasionar lesiones personales graves.
16. **Cargue la podadora de extensión por el mango y que la cadena de la sierra esté detenida. Cuando transporte o almacene la podadora de extensión, siempre coloque la cubierta del dispositivo de la cadena de la sierra.** La manipulación adecuada de la podadora de extensión reducirá la posibilidad de lesiones personales ocasionadas por la cadena de la sierra.
17. **Sujete la podadora de extensión solamente por las superficies de asimiento aisladas, ya que la cadena de la sierra podría entrar en contacto con cableado oculto.** Si una cadena de la sierra entra en contacto con un cable con corriente, las piezas metálicas expuestas de la podadora de extensión se podrían cargar también de corriente y el operador podría recibir una descarga eléctrica.
18. **No utilice la podadora de extensión en condiciones de mal clima, especialmente cuando exista riesgo de rayos.** Esto disminuye el riesgo de ser golpeado por un rayo.
19. **Para reducir el riesgo de choque eléctrico, nunca lo utilice cerca de ningún cable eléctrico.** El contacto con cables eléctricos o su uso cerca de ellos puede causar lesiones graves o descargas eléctricas, que pueden causar la muerte.
20. **Utilice siempre ambas manos cuando opere la podadora de extensión. Sostenga la podadora de extensión con las dos manos para evitar la pérdida de control.**
21. **Utilice siempre protección para la cabeza cuando opere la podadora de extensión por encima de su cabeza.** Los restos que caigan pueden ocasionar graves lesiones personales.
22. **Para reemplazar las baterías, en caso de que la herramienta utilice más de una, deberá reemplazarlas todas al mismo tiempo.** Mezclar baterías nuevas con descargadas podría aumentar la presión en las celdas y romper la(s) batería(s) descargada(s).
23. **Retire o desconecte la batería antes de dar servicio, limpiar o retirar materiales del aparato.** Tales medidas de seguridad preventiva reducirán el riesgo de que el aparato pueda ser puesto en marcha accidentalmente.
24. **Utilice únicamente la(s) batería(s) indicada(s) en la sección "ESPECIFICACIONES".** El uso de cualquier otra batería puede ocasionar riesgo de incendio.
25. **Tenga cuidado al manipular las baterías a fin de evitar un cortocircuito en la batería con materiales conductores tales como anillos, pulseras y llaves.** La batería o conductor podrían sobrecalentarse y causar quemaduras.
26. **Un aparato que funciona con batería y que cuenta con baterías integradas o baterías por separado deberá recargarse solamente con el cargador especificado para dichas baterías.** Un cargador que es adecuado para un solo tipo de batería puede generar riesgo de incendio al ser utilizado con otra batería.
27. **Retire las llaves de ajuste y de apriete antes de encender el aparato.** Una llave de ajuste o llave de apriete que sea dejada puesta en una parte giratoria del aparato podrá ocasionar lesiones personales.
28. **Cuando no se esté usando la batería, manténgalo alejado de otros objetos metálicos, como sujetapapeles (clips), monedas, llaves, clavos, tornillos u otros objetos pequeños de metal que puedan crear una conexión entre una terminal y otra.** Causar un cortocircuito en las terminales de la batería puede provocar chispas, quemaduras o incendio.
29. **En condiciones abusivas, podrá escapar líquido de la batería; evite tocarlo. Si lo toca accidentalmente, enjuague con agua. Si hay contacto del líquido con los ojos, busque asistencia médica.** Puede que el líquido expulsado de la batería cause irritación o quemaduras.
30. **Utilice solamente accesorios recomendados por el fabricante para su modelo.** Los accesorios que pueden ser apropiados para un aparato podrían ocasionar riesgo de lesiones si se utilizan con otro aparato.

31. **El servicio del aparato debe ser realizado sólo por personal de reparaciones calificado.** El servicio o mantenimiento realizados por personal no calificado pueden ocasionar riesgo de lesiones.
32. **Cuando haga el servicio a un aparato, utilice solamente piezas de repuesto idénticas. Siga las instrucciones en la sección de mantenimiento de este manual.** El uso de piezas no autorizadas o el no seguir las instrucciones de mantenimiento podrá ocasionar riesgo de descargas eléctricas o lesiones.
33. **Este aparato no está diseñado para ser utilizada por personas (incluidos niños) con discapacidades físicas, sensoriales o mentales, o que carezcan de experiencia y conocimientos. Hay que asegurarse de que los niños no jueguen con el aparato.**
34. **No utilice los aparatos en atmósferas explosivas, tal como en la presencia de líquidos, gases o polvo inflamables.** Los aparatos crean chispas que pueden prender fuego al polvo o los humos.

Precauciones generales

1. **Antes de poner en marcha la herramienta, lea este manual de instrucciones para familiarizarse con el manejo de la herramienta.**
2. **No preste la herramienta a ninguna persona que no tenga experiencia o conocimientos en relación con el manejo de la herramienta.**
3. **Cuando preste la herramienta, hágalo junto con este manual de instrucciones.**
4. **No permita que los niños o jóvenes menores de 18 años utilicen la herramienta. Manténgalos alejados de la herramienta.**
5. **Maneje la herramienta con extremo cuidado y atención.**
6. **Nunca utilice la herramienta después de haber consumido alcohol o drogas, o si se siente cansado o enfermo.**
7. **Nunca intente modificar la herramienta.**
8. **No utilice la herramienta en condiciones de mal clima, especialmente cuando exista riesgo de rayos.** Esto disminuye el riesgo de ser golpeado por un rayo.
9. **Los reglamentos nacionales podrían restringir el uso de la herramienta. Siga los reglamentos relativos al manejo de la herramienta en su país.**

Equipo de protección personal

1. **Use casco de seguridad, gafas protectoras y guantes protectores para protegerse de los residuos que salgan volando u objetos que caen.**
2. **Utilice protección para los oídos tal como orejeras para evitar la pérdida auditiva.**
3. **Use ropa y zapatos adecuados para una operación segura, como un overol de trabajo y zapatos resistentes y antideslizantes. No use ropa floja ni alhajas.** Las prendas de vestir holgadas, las alhajas y el cabello largo suelto podrían engancharse en las piezas móviles.
4. **Cuando manipule la cadena de la sierra o ajuste la tensión de la cadena, use guantes protectores.** La cadena de la sierra podría provocar cortaduras graves en las manos descubiertas.

Seguridad en el área de trabajo

1. **Mantenga la herramienta a una distancia de al menos 15 m (50 ft) lejos de cables eléctricos y de cables de comunicación (incluidas ramas que estén en contacto con los mismos). Tocar o acercarse a las líneas de alta tensión con la herramienta puede provocar la muerte o lesiones graves. Esté al pendiente de los cables eléctricos y cercas eléctricas alrededor del área de trabajo antes de comenzar la operación.**
2. **Opere la herramienta únicamente en condiciones de buena visibilidad y a la luz del día. No opere la herramienta en la oscuridad o la niebla.**
3. **Durante la operación, nunca se coloque sobre una superficie inestable o resbalosa o una pendiente inclinada. Durante las estaciones de frío, tenga cuidado con el hielo y la nieve y siempre asegúrese de pisar sobre suelo firme.**
4. **Durante la operación, mantenga a las personas o animales alrededor a por lo menos 15 m (50 ft) de distancia de la herramienta. Detenga la herramienta en cuanto alguien se acerque.**
5. **Cuando trabaje con dos o más personas, mantenga una distancia de por lo menos 15 m (50 ft) o más entre sí, y ponga un supervisor.**
6. **Antes de la operación, examine el área de trabajo para ver si hay alambrados, paredes u otros objetos sólidos. Estos pueden dañar la cadena de la sierra.**

Preparación

1. **Antes de ensamblar o ajustar la herramienta, apague la herramienta y extraiga el cartucho de batería.**
2. **Antes de manipular la cadena de la sierra o de ajustar la tensión de la cadena, use guantes protectores.**
3. **Antes de arrancar la herramienta, inspecciónela para ver que no haya daños, tornillos/tuercas flojos o un ensamblado incorrecto. Afíle la cadena de la sierra desafilada. Si la cadena de la sierra está doblada o dañada, reemplácela. Verifique que todas las palancas de control e interruptores se accionen fácilmente. Limpie y seque las empuñaduras.**
4. **Nunca intente arrancar la herramienta si está dañada o no se encuentra completamente ensamblada. De lo contrario, esto podría ocasionar lesiones graves.**
5. **Ajuste el arnés para hombro para adaptarlo al tamaño del cuerpo del operador.**
6. **Ajuste la tensión de la cadena adecuadamente. Rellene el aceite de la cadena, de ser necesario.**

Arranque de la herramienta

1. **Póngase el equipo de protección personal antes de arrancar la herramienta.**
2. **Antes de arrancar la herramienta, asegúrese de que no haya ninguna persona o animal en el área de trabajo.**
3. **Cuando instale el cartucho de batería, mantenga la cadena de la sierra y la barra de guía alejadas de su cuerpo y de otros objetos, incluyendo el suelo. La cadena de la sierra podría moverse en el arranque, y podría ocasionar lesiones graves o daños a la cadena de la sierra o a la propiedad.**

4. **Coloque la herramienta en suelo firme. Mantenga un buen equilibrio y los pies sobre suelo firme.**
- Operación**
1. **En caso de emergencia, apague la herramienta de inmediato.**
 2. **Si se percata de cualquier condición inusual (p. ej., ruido o vibración) durante la operación, apague la herramienta. No utilice la herramienta hasta que la causa haya sido reconocida y resuelta.**
 3. **La cadena de la sierra continúa moviéndose por un período breve después de apagar la herramienta. No se apresure a tocar la cadena de la sierra.**
 4. **Durante la operación, utilice el arnés para hombro. Mantenga la herramienta de su lado derecho con firmeza.**
 5. **Sujete la empuñadura delantera con su mano izquierda y la empuñadura trasera con su mano derecha, sin importar si es derecho o zurdo. Rodee las empuñaduras con sus dedos y pulgares.**
 6. **Sujete la herramienta solamente por las superficies de asimiento aisladas, ya que la cadena de la sierra podría entrar en contacto con cableado oculto. Si una cadena de la sierra entra en contacto con un cable con corriente, las piezas metálicas expuestas de la podadora de alcance extendido se podrían cargar también de corriente y el operador podría recibir una descarga eléctrica.**
 7. **Nunca intente operar la herramienta con una mano. La pérdida de control podría ocasionar lesiones graves o fatales. Para reducir el riesgo de lesiones, mantenga sus manos y pies alejados de la cadena de la sierra.**
 8. **No utilice la herramienta donde no alcance. Pise firmemente y mantenga el equilibrio en todo momento. Observe si hay obstáculos ocultos tales como cepas de árboles, raíces y zanjas para evitar tropezar. Quite del paso las ramas caídas y otros objetos.**
 9. **Nunca trabaje sobre una escalera o en un árbol, para evitar la pérdida de control.**
 10. **Si la herramienta recibe un golpe fuerte o se cae, revise su estado antes de continuar el trabajo. En caso de haber daños o dudas, solicite la inspección y reparación al centro de servicio autorizado de Makita.**
 11. **No toque el cabezal de la herramienta. El cabezal de la herramienta se calienta durante la operación.**
 12. **Tome un descanso para evitar la pérdida de control a causa de la fatiga. Recomendamos tomar de 10 a 20 minutos de descanso cada hora.**
 13. **Cuando vaya a dejar la herramienta desatendida, aunque sea por poco tiempo, apague siempre la herramienta y retire el cartucho de batería. La herramienta desatendida y en funcionamiento podría utilizarla alguna persona no autorizada y provocar un accidente grave.**
 14. **Cuando opere la herramienta, no eleve su mano derecha por encima de la altura de su hombro.**
 15. **Durante la operación, nunca golpee la cadena de la sierra contra obstáculos duros, como piedras y clavos. Tenga especial cuidado cuando corte ramas cercanas a las paredes, alambrados o similares.**
 16. **Si las ramas quedan atrapadas en la herramienta, detenga siempre la herramienta y extraiga el cartucho de batería. De lo contrario, un arranque accidental podría causar alguna lesión grave.**
 17. **Si la cadena de la sierra se obstruye, apague siempre la herramienta y extraiga el cartucho de batería antes de limpiarla.**
 18. **Acelerar la herramienta con la cadena de la sierra bloqueada incrementa la carga y dañará la herramienta.**
 19. **Antes de cortar ramas, mantenga un área de escape alejada de la rama que caiga. Primero, despeje las obstrucciones del área de trabajo, como tallos y ramas. Mueva todas las herramientas y artículos del área de escape a otro lugar seguro.**
 20. **Antes de cortar tallos y ramas, compruebe la dirección de caída de los mismos, considerando la condición de las ramas y tallos, los árboles cercanos, la dirección del viento, etc. Ponga total atención a la dirección de caída, así como al rebote de la rama que golpee el suelo.**
 21. **Nunca sostenga la herramienta en un ángulo de más de 60°. De lo contrario, los objetos que caigan podrían golpear al operador y ocasionar una lesión grave. Nunca se pare por debajo de una rama que se esté cortando.**
 22. **Ponga atención a las ramas rotas o dobladas. Podrían rebotar cuando las corta, y causar una lesión inesperada.**
 23. **Antes de cortar tallos que pretenda recortar, quite las ramas y hojas alrededor de los mismos. De lo contrario, la cadena de la sierra podría quedar atrapada entre ellas.**
 24. **Para evitar que la cadena de la sierra quede atrapada en el corte de sierra, no suelte la palanca antes de extraer la cadena de la sierra del corte de sierra.**
 25. **Si la cadena de la sierra está pegada al corte de sierra, detenga inmediatamente la herramienta, mueva cuidadosamente la rama para abrir el corte de sierra y libere la cadena de la sierra.**
 26. **Evite el retroceso brusco (la fuerza de reacción giratoria hacia el operador). Para evitar el retroceso brusco, nunca utilice la punta de la barra de guía o realice un corte penetrante. Siempre esté al pendiente de la posición de la punta de la barra de guía.**
 27. **Verifique constantemente la tensión de la cadena. Cuando verifique o ajuste la tensión de la cadena, apague la herramienta y extraiga el cartucho de batería. Si la tensión es floja, apriétela.**
- Transporte**
1. **Antes de transportar la herramienta, apáguela y extraiga el cartucho de batería. Siempre coloque la cubierta de la barra de guía durante el transporte.**
 2. **Cuando transporte la herramienta, cárguela en posición horizontal sujetando la empuñadura.**

Mantenimiento

1. **El servicio de su equipo deberá ser realizado por un centro de servicio autorizado usando siempre piezas de repuesto genuinas solamente.** Una reparación incorrecta y un mantenimiento deficiente pueden acortar la vida útil de la herramienta y aumentar el riesgo de accidentes.
2. **Antes de realizar cualquier trabajo de mantenimiento, reparación o limpieza de la herramienta, apáguela siempre y retire el cartucho de batería.** Espere hasta que la herramienta se enfríe.
3. **Use siempre guantes protectores cuando manipule la cadena de la sierra.**
4. **Después de cada uso, apriete todos los tornillos y tuercas, excepto los tornillos de ajuste.**
5. **Mantenga la cadena de la sierra afilada. Si la cadena de la sierra ha perdido su filo y el desempeño de corte es deficiente, pregunte al centro de servicio autorizado de Makita para que la afilen o la reemplacen con una nueva.**
6. **No intente realizar ningún tipo de mantenimiento o reparación que no esté descrito en este manual de instrucciones. Solicite este tipo de trabajo al centro de servicio autorizado de Makita.**
7. **Siempre utilice piezas de repuesto y accesorios originales de Makita solamente.** El uso de piezas o accesorios suministrados por un tercero podría provocar fallas en la herramienta, daños materiales y/o lesiones graves.

Uso y cuidado de la herramienta a batería

1. **Evite una puesta en marcha accidental. Asegúrese de que el interruptor esté en la posición apagada antes de conectar el paquete de baterías, levantar la herramienta o cargarla.** Cargar la herramienta con su dedo en el interruptor o pasar energía a la herramienta con el interruptor encendido puede propiciar accidentes.
2. **Desconecte el paquete de baterías de la herramienta antes de hacer cualquier ajuste, cambiar accesorios o almacenar la herramienta.** Estas medidas de seguridad preventivas reducen el riesgo de poner en marcha la herramienta accidentalmente.
3. **Recargue sólo con el cargador especificado por el fabricante.** Un cargador que sea adecuado para un tipo específico de paquete de batería puede generar un riesgo de incendio al usarse con un paquete de batería distinto.
4. **Use las herramientas únicamente con los paquetes de baterías designados específicamente para ellas.** El uso de otros paquetes de baterías puede generar riesgo de lesiones e incendio.
5. **Cuando no se esté usando el paquete de batería, manténgalo alejado de otros objetos metálicos, como sujetapapeles (clips), monedas, llaves, clavos, tornillos u otros objetos pequeños de metal que puedan crear una conexión entre una terminal y otra.** Causar un cortocircuito en las terminales de la batería puede provocar quemaduras o incendio.

6. **En condiciones de mal uso, podría escapar líquido de la batería; evite el contacto. Si toca el líquido accidentalmente, enjuague con agua. Si hay contacto del líquido con los ojos, solicite atención médica.** El líquido expulsado de la batería puede causar irritación o quemaduras.
7. **No utilice un paquete de baterías o una herramienta que esté dañado/dañada o haya sido modificado/modificada.** Las baterías dañadas o modificadas podrían comportarse de manera impredecible causando un incendio, explosión o riesgo de lesión.
8. **No exponga un paquete de baterías o una herramienta al fuego o a una temperatura excesiva.** La exposición al fuego o a una temperatura superior a 130 °C (265 °F) podría causar una explosión.
9. **Siga todas las instrucciones relativas a la carga y no cargue el paquete de baterías o la herramienta fuera del rango de temperatura especificado en las instrucciones.** Cargar de manera inapropiada o a temperaturas fuera del rango especificado podría dañar la batería e incrementar el riesgo de incendio.
10. **Pida que el servicio lo realice un técnico en reparaciones calificado y que utilice únicamente piezas de repuesto idénticas a las originales.** Esto garantizará que se mantenga la seguridad del producto.
11. **No modifique ni intente reparar la herramienta ni el paquete de baterías salvo como se indique en las instrucciones para el uso y cuidado.**

Seguridad eléctrica y de la batería

1. **No deseche la(s) batería(s) donde haya fuego.** La celda podría explotar. Consulte los códigos locales para ver si hay instrucciones especiales relativas al desecho.
2. **No abra ni dañe la(s) batería(s).** Los electrolitos liberados son corrosivos y pueden ocasionar daños en los ojos o la piel. Éstos pueden ser tóxicos si se llegan a tragar.
3. **No cargue la batería bajo la lluvia ni en lugares mojados.**
4. **No cargue la batería en exteriores.**
5. **No manipule el cargador, incluida la clavija del cargador, ni los terminales con las manos mojadas.**
6. **Evite los entornos peligrosos. No utilice la herramienta en lugares húmedos o mojados ni la esponja a la lluvia.** El agua que ingrese a la herramienta incrementará el riesgo de descarga eléctrica.


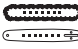



Almacenamiento

1. **Antes de almacenar la herramienta, realice una limpieza completa y dele mantenimiento. Coloque la cubierta de la barra de guía. Retire el cartucho de batería. Drene el aceite de la cadena después de que la herramienta se enfríe.**
2. **Almacene la herramienta en un lugar seco, en alto o bajo llave fuera del alcance de los niños.**
3. **No apoye la herramienta contra algún objeto, tal como una pared.** De lo contrario, podría caer repentinamente y causar una lesión.

GUARDE ESTAS INSTRUCCIONES.

Símbolos

A continuación se muestran los símbolos utilizados para la herramienta.

v	volts o voltios
	corriente directa o continua
m/s	metros por segundo
ft/min	pies por minuto
	número de piezas de la cadena de la sierra y la barra de guía aplicables
	Dirección de desplazamiento de la cadena
	Tanque de aceite de la cadena
	Superficies calientes - Quemaduras de los dedos o las manos.

Instrucciones importantes de seguridad para el cartucho de batería

- Antes de utilizar el cartucho de batería, lea todas las instrucciones e indicaciones de precaución en el (1) el cargador de batería, (2) la batería, y (3) el producto con el que se utiliza la batería.
- No desarme ni modifique el cartucho de batería. Podría ocurrir un incendio, calor excesivo o una explosión.
- Si el tiempo de operación se ha acortado en exceso, deje de operar de inmediato. Podría correrse el riesgo de sobrecalentamiento, posibles quemaduras e incluso explosión.
- En caso de que ingresen electrolitos en sus ojos, enjuáguelos bien con agua limpia y consulte de inmediato a un médico. Esto podría ocasionar pérdida de visión.
- Evite cortocircuitar el cartucho de batería:
 - No toque las terminales con ningún material conductor.
 - Evite guardar el cartucho de batería en un cajón junto con otros objetos metálicos, tales como clavos, monedas, etc.
 - No exponga el cartucho de batería al agua o la lluvia.Un cortocircuito en la batería puede causar un flujo grande de corriente, sobrecalentamiento, posibles quemaduras e incluso una descompostura.
- No guarde ni utilice la herramienta y el cartucho de batería en lugares donde la temperatura pueda alcanzar o exceder los 50 °C (122 °F).
- Nunca incinere el cartucho de batería incluso en el caso de que esté dañado seriamente o ya no sirva en absoluto. El cartucho de batería puede explotar si se tira al fuego.
- No clave, corte, aplaste, lance o deje caer el cartucho de batería, ni golpee un objeto sólido contra el cartucho de batería. Dicha acción podría resultar en un incendio, calor excesivo o en una explosión.
- No use una batería dañada.
- Las baterías de ión de litio están sujetas a los requisitos reglamentarios en materia de bienes peligrosos.

Para el transporte comercial, por ej., mediante terceros o agentes de transporte, se deben tomar en cuenta los requisitos especiales relativos al empaque y el etiquetado.

Para efectuar los preparativos del artículo que se va a enviar, se requiere consultar a un experto en materiales peligrosos. Si es posible, consulte además otras regulaciones nacionales más detalladas.

Pegue o cubra con cinta adhesiva los contactos abiertos y empaque la batería de manera que ésta no pueda moverse dentro del paquete.
- Para deshacerse del cartucho de batería, sáquelo de la herramienta y deséchelo en un lugar seguro. Siga las regulaciones locales relacionadas al desecho de las baterías.
- Utilice las baterías únicamente con los productos especificados por Makita. Instalar las baterías en productos que no cumplan con los requisitos podría ocasionar un incendio, un calentamiento excesivo, una explosión o una fuga de electrolito.
- Si no se utiliza la herramienta por un periodo largo, debe extraerse la batería de la herramienta.
- El cartucho de batería podría absorber calor durante y después de su uso, lo que ocasionaría quemaduras o quemaduras a baja temperatura. Tenga cuidado con la manipulación de los cartuchos de batería que estén calientes.
- No toque el terminal de la herramienta inmediatamente después de su uso, ya que el mismo podría estar lo suficientemente caliente como para provocarle quemaduras.
- No permita que las rebabas, el polvo o la tierra queden atrapados en los terminales, orificios y ranuras del cartucho de batería. Podría provocar calentamiento, incendio, explosión y mal funcionamiento de la herramienta o del cartucho de batería, lo que resultaría en quemaduras o lesiones personales.
- No utilice el cartucho de batería cerca de cables eléctricos de alto voltaje, a menos que la herramienta sea compatible con el uso cercano a estos cables eléctricos de alto voltaje. Esto podría ocasionar una avería o descompostura de la herramienta o del cartucho de batería.
- Mantenga la batería alejada de los niños.

GUARDE ESTAS INSTRUCCIONES.

⚠️ PRECAUCIÓN: Utilice únicamente baterías originales de Makita. El uso de baterías no originales de Makita, o de baterías alteradas, puede ocasionar que las baterías exploten causando un incendio, lesiones personales y daños. Asimismo, esto invalidará la garantía de Makita para la herramienta y el cargador Makita.

Consejos para alargar al máximo la vida útil de la batería

1. Cargue el cartucho de batería antes de que se descargue completamente. Pare siempre la operación y cargue el cartucho de batería cuando note menos potencia en la herramienta.
2. No cargue nunca un cartucho de batería que esté completamente cargado. La sobrecarga acortará la vida de servicio de la batería.
3. Cargue el cartucho de batería a una temperatura ambiente de 10 °C - 40 °C (50 °F - 104 °F). Si un cartucho de batería está caliente, déjelo enfriar antes de cargarlo.
4. Cuando no utilice el cartucho de batería, sáquelo de la herramienta o del cargador.
5. Cargue el cartucho de batería si no va a utilizarlo durante un período prolongado (más de seis meses).

DESCRIPCIÓN DE LAS PIEZAS

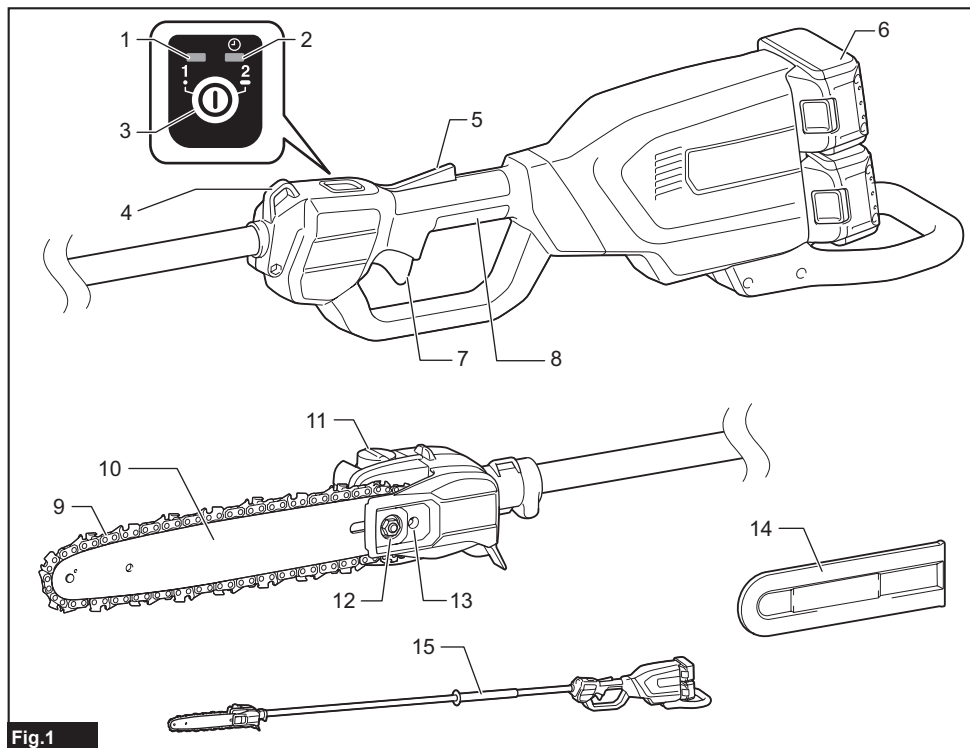


Fig.1

1	Lámpara de alimentación principal	2	Indicador de modo	3	Interruptor de alimentación principal
4	Colgador	5	Palanca de desbloqueo	6	Cartucho de batería
7	Gatillo interruptor	8	Empuñadura trasera	9	Cadena de la sierra
10	Barra de guía	11	Tapa del tanque de aceite	12	Tuerca de retención
13	Tornillo de ajuste de la cadena	14	Cubierta de la barra de guía	15	Empuñadura delantera

DESCRIPCIÓN DEL FUNCIONAMIENTO

⚠️ PRECAUCIÓN: Asegúrese siempre de que la herramienta esté apagada y el cartucho de batería haya sido extraído antes de realizar cualquier ajuste o comprobación en la herramienta.

Instalación o extracción del cartucho de batería

⚠️ PRECAUCIÓN: Apague siempre la herramienta antes de colocar o quitar el cartucho de batería.

⚠️ PRECAUCIÓN: Sujete la herramienta y el cartucho de la batería con firmeza al colocar o quitar el cartucho de batería. Si no se sujeta con firmeza la herramienta y el cartucho de batería, puede ocasionar que se resbalen de sus manos causando daños a la herramienta y al cartucho de batería, así como lesiones a la persona.

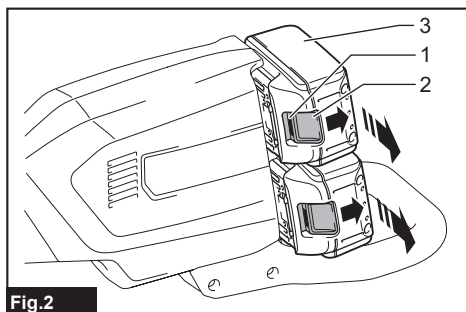


Fig.2

► 1. Indicador rojo 2. Botón 3. Cartucho de batería

Para quitar el cartucho de batería, deslícelo de la herramienta mientras desliza el botón sobre la parte delantera del cartucho.

Para instalar el cartucho de batería, alinee la lengüeta sobre el cartucho de batería con la ranura en la carcasa y deslícela hasta su lugar. Insértelo por completo hasta que se fije en su lugar con un pequeño clic. Si puede ver el indicador rojo como se muestra en la ilustración, este no ha quedado asegurado por completo.

⚠️ PRECAUCIÓN: Introduzca siempre completamente el cartucho de batería hasta que el indicador rojo no pueda verse. Si no, podría accidentalmente salirse de la herramienta y caer al suelo causando una lesión a usted o alguien a su alrededor.

⚠️ PRECAUCIÓN: No instale el cartucho de batería a la fuerza. Si el cartucho no se desliza al interior fácilmente, se debe a que no está siendo insertado correctamente.

Indicación de la capacidad restante de la batería

Únicamente para cartuchos de batería con el indicador

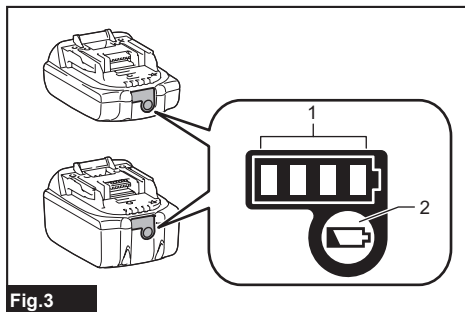


Fig.3

► 1. Luces indicadoras 2. Botón de verificación

Oprima el botón de verificación en el cartucho de la batería para que indique la capacidad restante de la batería. Las luces indicadoras se iluminarán por algunos segundos.

Luces indicadoras			Capacidad restante
Iluminadas	Apagadas	Parpadeando	
			75% a 100%
			50% a 75%
			25% a 50%
			0% a 25%
			Cargar la batería.
			La batería pudo haber funcionado mal.

NOTA: Dependiendo de las condiciones de uso y la temperatura ambiente, la indicación podrá diferir ligeramente de la capacidad real.

NOTA: La primera luz indicadora (extrema izquierda) parpadeará cuando el sistema de protección de batería esté en funcionamiento.

Sistema de protección para la herramienta/batería

La herramienta está equipada con un sistema de protección de la herramienta/batería. Este sistema corta en forma automática el suministro de energía al motor para prolongar la vida útil de la herramienta y la batería. La herramienta se detendrá automáticamente durante la operación si la herramienta o la batería se someten a una de las siguientes condiciones:

Protección contra sobrecarga

Cuando la batería sea utilizada de una manera que cause que consuma una cantidad anormalmente alta de corriente, la herramienta se detendrá automáticamente y la lámpara de alimentación principal parpadeará en verde. En este caso, apague la herramienta y detenga la aplicación que causó que la herramienta se sobrecargara. Luego encienda la herramienta para reiniciarla.

Protección contra sobrecalentamiento

Cuando la herramienta o la batería se sobrecalienten, la herramienta se detendrá automáticamente y la lámpara de alimentación principal se encenderá en rojo. En este caso, permita que la herramienta y la batería se enfríen antes de volver a encender la herramienta.

NOTA: En un entorno donde la temperatura sea alta, es probable que la protección contra sobrecalentamiento se active y la herramienta se detenga automáticamente.

Protección en caso de sobredescarga

Cuando la capacidad de la batería no sea suficiente, la herramienta se detendrá automáticamente y la lámpara de alimentación principal parpadeará en rojo. En este caso, retire la batería de la herramienta y cárguela.

Interruptor de alimentación principal

⚠ ADVERTENCIA: Siempre apague el interruptor de alimentación principal cuando no lo vaya a utilizar.

Para encender la herramienta, oprima el interruptor de alimentación principal hasta que la lámpara de alimentación principal se encienda en verde. Para apagarla, oprima nuevamente el interruptor de alimentación principal.

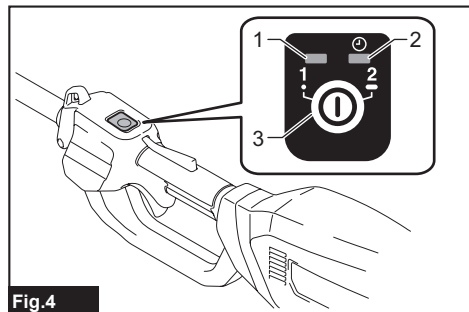


Fig.4

- 1. Lámpara de alimentación principal 2. Indicador de modo 3. Interruptor de alimentación principal

NOTA: La lámpara de alimentación principal parpadeará en verde si usted activa el interruptor de alimentación principal mientras mantiene presionada la palanca de desbloqueo y tira del gatillo interruptor. En este caso, suelte el gatillo interruptor y la palanca de desbloqueo, y luego encienda el interruptor de alimentación principal.

NOTA: Esta herramienta emplea la función de apagado automático. A fin de evitar un arranque no intencional, el interruptor de alimentación principal se apagará automáticamente cuando el gatillo interruptor no sea jalado durante cierto periodo después de que el interruptor de alimentación principal haya sido encendido.

Usted puede usar la herramienta en el modo Aumento de torsión para cortar ramas gruesas o duras. Para usar la herramienta en el modo Aumento de torsión cuando la herramienta esté apagada, oprima el interruptor de alimentación principal durante unos segundos hasta que el indicador de modo se ilumine en verde.

NOTA: Usted puede utilizar la herramienta en el modo Aumento de torsión por un máximo de 60 segundos. Dependiendo de las condiciones de uso, este modo cambia al modo normal en menos de 60 segundos.

NOTA: Si el indicador de modo parpadea en verde al oprimir el interruptor de alimentación principal durante unos segundos, el modo Aumento de torsión no está disponible. En este caso, siga los pasos a continuación.

- El modo Aumento de torsión no está disponible justo después de la operación de corte. Espere más de 10 segundos y luego oprima el interruptor de alimentación principal nuevamente por unos cuantos segundos.
- Si usted utiliza el modo Aumento de torsión varias veces, el uso del modo Aumento de torsión quedará restringido para proteger a la batería. Si el modo Aumento de torsión no está disponible después de esperar más de 10 segundos, reemplace el cartucho de batería con uno completamente cargado, o recargue el cartucho de batería.

NOTA: Si la luz indicadora de alimentación principal se enciende en rojo o parpadea en rojo o en verde, consulte las instrucciones para ver lo referente al sistema de protección de la herramienta/batería.

Accionamiento del interruptor

⚠️ ADVERTENCIA: Por su seguridad, esta herramienta está equipada con una palanca de desbloqueo para prevenir un arranque no intencional de la herramienta. NUNCA use la herramienta si se activa simplemente al jalar el gatillo interruptor sin presionar la palanca de desbloqueo. Devuelva la herramienta a nuestro centro de servicio autorizado para que realicen las reparaciones apropiadas ANTES de continuar su uso.

⚠️ ADVERTENCIA: NUNCA fije con cinta adhesiva ni impida el funcionamiento ni la finalidad de la palanca de desbloqueo.

⚠️ PRECAUCIÓN: Antes de insertar el cartucho de batería en la herramienta, compruebe siempre y cerciórese de que el gatillo interruptor se acciona debidamente y que vuelve a la posición "OFF" (apagado) cuando lo suelta.

AVISO: No jale fuerte el gatillo interruptor sin presionar la palanca de desbloqueo. Esto podría dañar el interruptor.

Se proporciona una palanca de desbloqueo para evitar que el gatillo interruptor sea jalado accidentalmente. Para arrancar la herramienta, presione la palanca de desbloqueo y jale el gatillo interruptor. La velocidad de la herramienta aumenta al incrementar la presión en el gatillo interruptor. Para detenerla, suelte el gatillo interruptor.

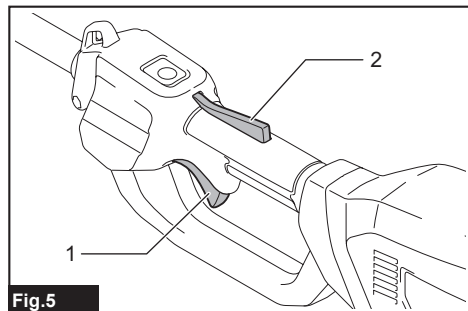


Fig.5

► 1. Gatillo interruptor 2. Palanca de desbloqueo

Funcionamiento electrónico

La herramienta está equipada con funciones electrónicas para facilitar la operación.

- Control de velocidad constante
La función de control de velocidad permite una rotación constante independientemente de las condiciones de carga.
- Freno eléctrico
La herramienta está equipada con un freno eléctrico. Si la herramienta falla constantemente en detenerse tras soltar el gatillo interruptor, lleve la herramienta a mantenimiento a un centro de servicio Makita.

MONTAJE

⚠️ PRECAUCIÓN: Asegúrese siempre de que la herramienta esté apagada y el cartucho de batería haya sido extraído antes de realizar cualquier trabajo en la misma.

⚠️ PRECAUCIÓN: No toque la cadena de la sierra con las manos descubiertas. Siempre use guantes al manipular la cadena de la sierra.

Extracción o instalación de la cadena de la sierra

⚠️ PRECAUCIÓN: La cadena de la sierra y la barra de guía siguen estando calientes justo después de la operación. Permita que se enfrien lo suficiente antes de realizar cualquier trabajo en la herramienta.

⚠️ PRECAUCIÓN: Realice el procedimiento de instalación o extracción de la cadena de la sierra en un lugar limpio, libre de aserrín y residuos similares.

Para extraer la cadena de la sierra, siga los pasos a continuación:

1. Afloje el tornillo de ajuste de la cadena y luego la tuerca de retención.

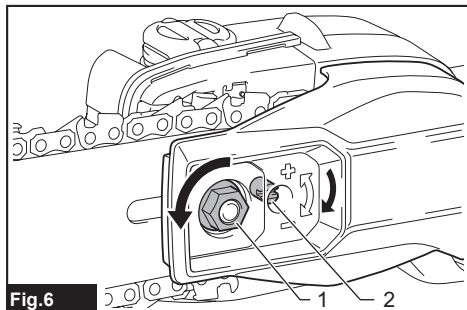


Fig.6

► 1. Tuerca de retención 2. Tornillo de ajuste de la cadena

2. Retire la cubierta de la pieza dentada, y luego extraiga la cadena de la sierra y la barra de guía del cuerpo de la herramienta.

Para instalar la cadena de la sierra, realice los siguientes pasos:

1. Verifique la dirección de la cadena de la sierra. Iguale la dirección de la cadena de la sierra con la de la marca del cuerpo de la herramienta.
2. Coloque un extremo de la cadena de la sierra en la parte superior de la barra de guía. Coloque el otro extremo de la cadena de la sierra alrededor de la pieza dentada. Asegúrese de que la cadena de la sierra se ajuste debidamente a la pieza dentada, y que se ajuste debidamente en la ranura de la barra de guía.

3. Coloque la barra de guía al cuerpo de la herramienta, alineando el orificio de la barra de guía con el pasador del cuerpo de la herramienta.

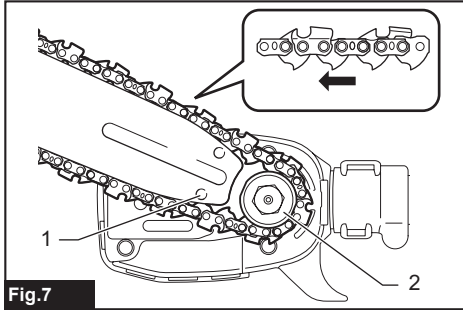


Fig.7

- 1. Orificio 2. Pieza dentada

4. Inserte la protuberancia de la cubierta de la pieza dentada al cuerpo de la herramienta, y luego cierre la cubierta de manera que el perno y el pasador del cuerpo de la herramienta encajen con sus contrapartes de la cubierta.

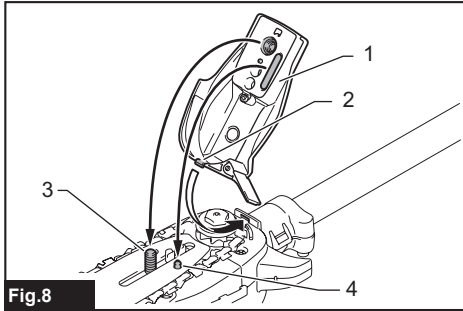


Fig.8

- 1. Cubierta de la pieza dentada 2. Protuberancia 3. Perno 4. Pasador

5. Apriete la tuerca de retención para asegurar la cubierta de la pieza dentada y luego aflójela un poco para ajustar la tensión.

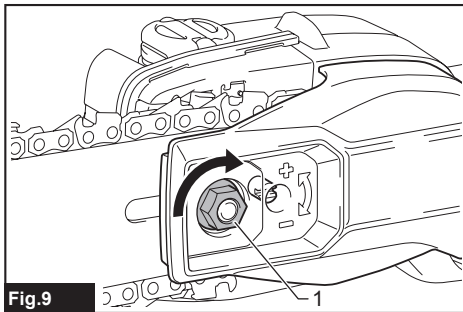


Fig.9

- 1. Tuerca de retención

Ajuste de la tensión de la cadena de la sierra

⚠PRECAUCIÓN: No apriete demasiado la cadena de la sierra. Una tensión excesiva de la cadena de la sierra puede causar que ésta se rompa y que la barra de guía se desgaste.

⚠PRECAUCIÓN: Una cadena demasiado suelta puede salirse de la barra y ocasionar lesiones por accidentes.

La cadena de la sierra puede aflojarse tras varias horas de uso. De vez en cuando revise la tensión de la cadena de la sierra antes de usarla.

1. Afloje un poco la tuerca de retención para soltar ligeramente la cubierta de la pieza dentada.

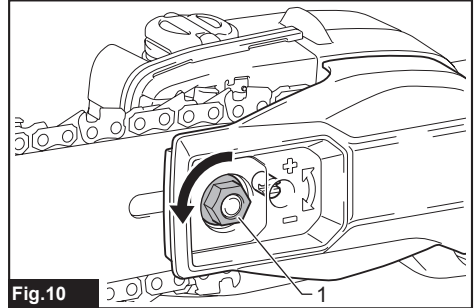


Fig.10

- 1. Tuerca de retención

2. Levante ligeramente la punta de la barra de guía y ajuste la tensión de la cadena. Gire el tornillo de ajuste de la cadena en sentido inverso al de las manecillas del reloj para apretar la cadena, y gírelo en el sentido de las manecillas del reloj para aflojar la cadena.

Apriete la cadena de la sierra hasta que el lado inferior de la cadena de la sierra embone en el riel de la barra de guía, tal como se muestra en la ilustración.

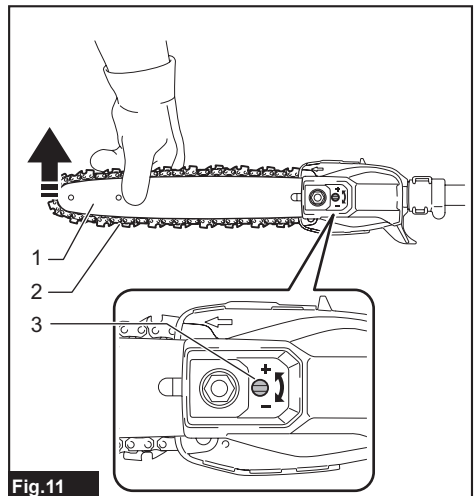


Fig.11

- 1. Barra de guía 2. Cadena de la sierra 3. Tornillo de ajuste de la cadena

3. Continúe sosteniendo ligeramente la barra de guía y coloque la cubierta de la pieza dentada.

Asegúrese de que la cadena de la sierra no quede floja del lado inferior.

4. Apriete la tuerca de retención para asegurar la cubierta de la pieza dentada.

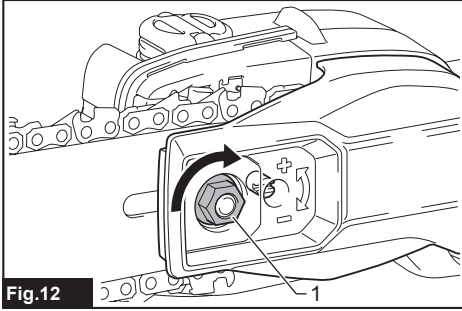


Fig.12

- 1. Tuerca de retención

Instalación o desinstalación del aditamento en ángulo

Accesorio opcional

⚠PRECAUCIÓN: Antes de instalar o desinstalar el aditamento en ángulo, asegúrese de colocar la cubierta de la barra de guía en la herramienta.

Puede cambiar el ángulo del cabezal de la herramienta al conectar el aditamento en ángulo a la herramienta.

1. Instale la cubierta de la barra de guía a la herramienta.
2. Afloje 2 pernos con la llave hexagonal, y luego retire el tubo y los manguitos del cabezal de la herramienta.

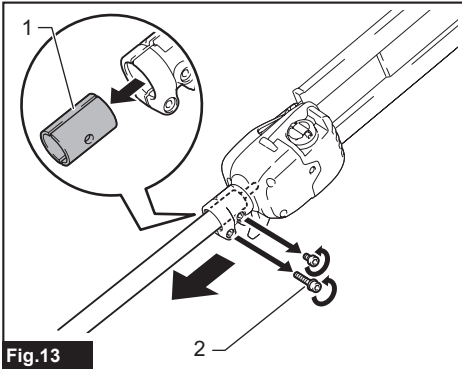


Fig.13

- 1. Manguito 2. Perno

3. Retire las tapas del aditamento en ángulo.

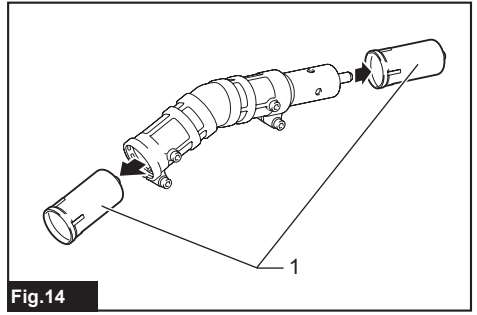


Fig.14

- 1. Tapa

4. Alinee el orificio del manguito con el del tubo, y luego fije 2 manguitos al tubo. Alinee el orificio del manguito con el del aditamento, y luego inserte el tubo en el aditamento.

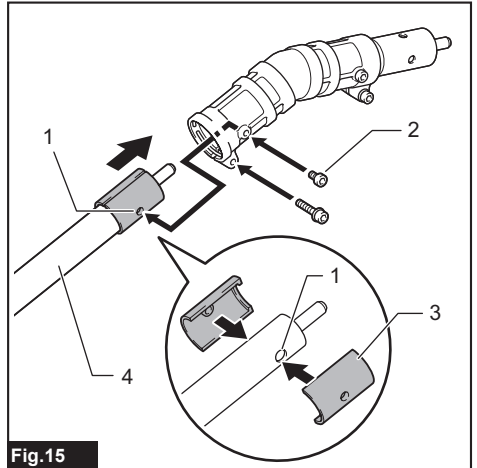


Fig.15

- 1. Orificio 2. Perno 3. Manguito 4. Tubo

5. Apriete dos pernos para fijar el aditamento.

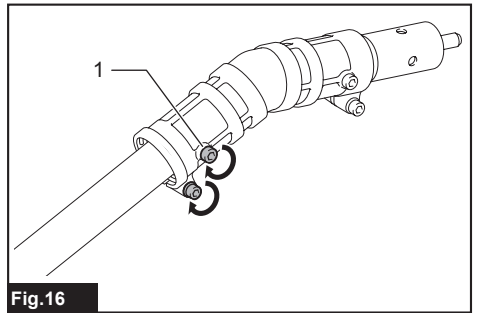


Fig.16

- 1. Perno

6. Coloque el cabezal de la herramienta al aditamento.

Para fijar el cabezal de la herramienta verticalmente, fije el aditamento apretando el perno en el orificio del aditamento que se muestra en la figura, y luego apriete el otro perno.

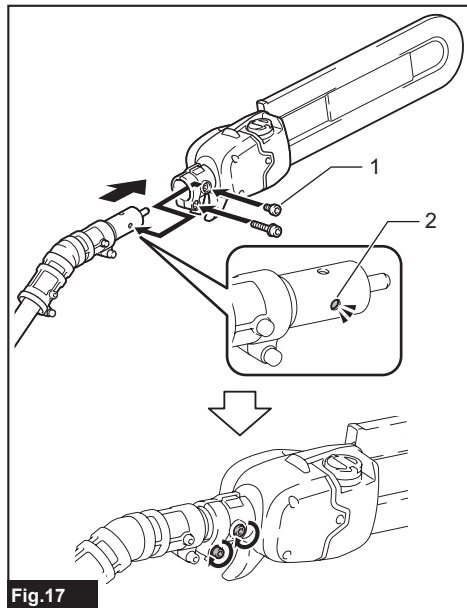


Fig.17

► 1. Perno 2. Orificio

Para fijar el cabezal de la herramienta horizontalmente, fije el aditamento apretando el perno en el orificio del aditamento que se muestra en la figura, y luego apriete el otro perno.

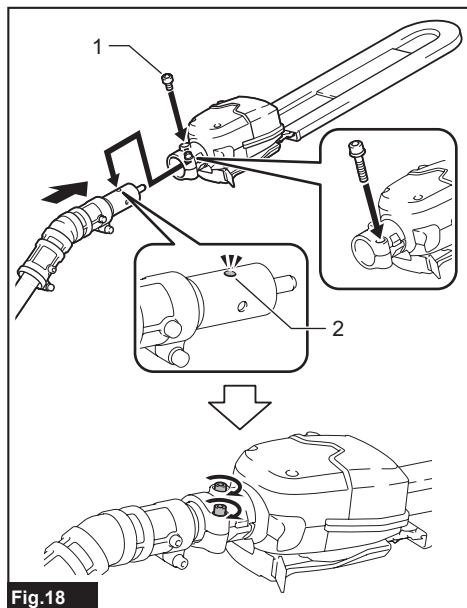


Fig.18

► 1. Perno 2. Orificio

Para extraer el aditamento en ángulo, realice el procedimiento de instalación en orden inverso.

OPERACIÓN

Lubricación

AVISO: Cuando llene el aceite para la cadena por primera vez, o al reabastecer el tanque después de haberse vaciado por completo, añada el aceite hasta el borde inferior del cuello de la abertura de suministro. De lo contrario, el suministro de aceite podría ser deficiente.

AVISO: Utilice el aceite para la cadena de la sierra exclusivamente para sierras eléctricas Makita o un aceite equivalente disponible en el mercado.

AVISO: Nunca use aceite que tenga polvo y partículas, ni aceite volátil.

AVISO: Cuando pade árboles, use aceite vegetal. El aceite mineral puede dañar los árboles.

AVISO: Antes de la operación de corte, asegúrese de que la tapa del tanque de aceite provista se encuentre atornillada en su lugar.

La cadena de la sierra se lubrica automáticamente cuando la herramienta está en funcionamiento. Verifique periódicamente la cantidad de aceite restante en el tanque de aceite.

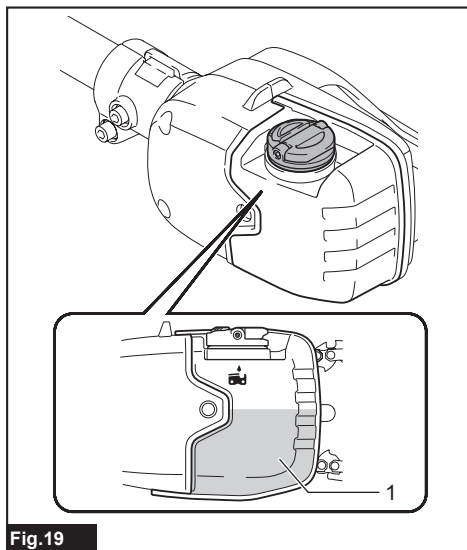


Fig.19

► 1. Tanque de aceite

Para rellenar el tanque, coloque la herramienta sobre una superficie plana, luego empuje el botón de la tapa del tanque de aceite, de manera que el botón del otro lado se levante, y luego retire la tapa del tanque de aceite girándola.

La cantidad correcta de aceite son 160 ml (5,4 fl oz). Después de reabastecer el tanque, asegúrese de que la tapa del tanque de aceite sea apretada firmemente.

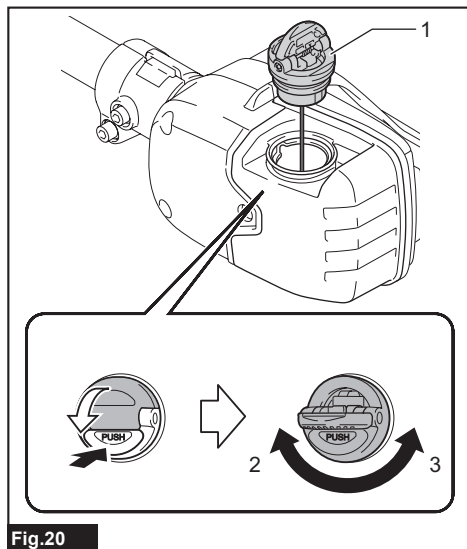


Fig.20

► 1. Tapa del tanque de aceite 2. Apretar 3. Aflojar

NOTA: Si se dificulta quitar la tapa del tanque de aceite, inserte la llave de ojo en la hendidura de la tapa del tanque de aceite, y luego quite la tapa del tanque de aceite girándola en sentido inverso al de las manecillas del reloj.

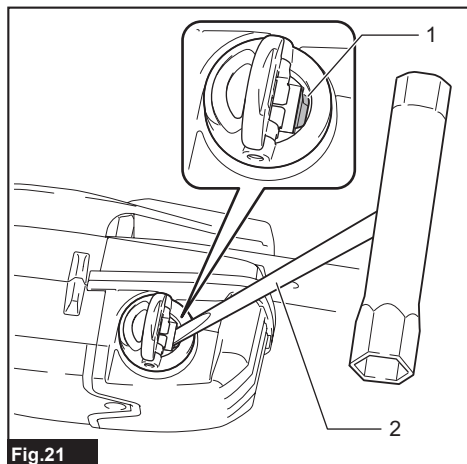


Fig.21

► 1. Hendidura 2. Llave de ojo

Después del reabastecimiento, sostenga la herramienta lejos del árbol. Póngala en marcha y espere hasta que la lubricación en la cadena de la sierra sea adecuada.

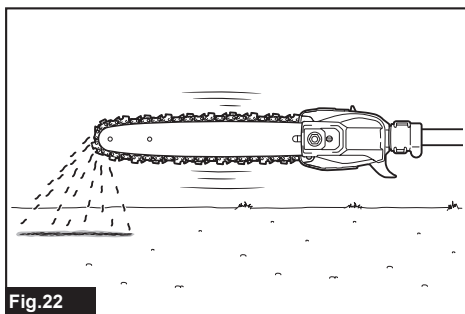


Fig.22

Instalación del arnés para hombro

⚠PRECAUCIÓN: Cuando utilice la herramienta en combinación con la fuente de alimentación tipo mochila, como la unidad portátil de alimentación eléctrica, no utilice el arnés para hombro incluido en el paquete de la herramienta, sino más bien la banda para colgado recomendada por Makita.

Si se pone el arnés para hombro incluido en el paquete de la herramienta y el arnés para hombro de la fuente de alimentación tipo mochila al mismo tiempo, se dificultará quitarse la herramienta o la fuente de alimentación tipo mochila en caso de emergencia, y podría causar un accidente o lesión. Para la banda para colgado recomendada, pregunte a los centros de servicio autorizados de Makita.

⚠PRECAUCIÓN: Siempre lleve puesto el arnés para hombro colocado en la herramienta. Antes de la operación, ajuste el arnés para hombro de acuerdo al tamaño del usuario para evitar la fatiga.

⚠PRECAUCIÓN: Antes de la operación, asegúrese de que el arnés para hombro esté colocado correctamente al colgador en la herramienta.

⚠PRECAUCIÓN: Antes de la operación, asegúrese de que la hebilla del arnés para hombro esté sujeta firmemente.

⚠PRECAUCIÓN: Siempre lleve puesto el arnés para hombro específico para esta herramienta. No utilice otros arneses para hombro.

1. Colóquese el arnés para hombro y ajuste la hebilla.

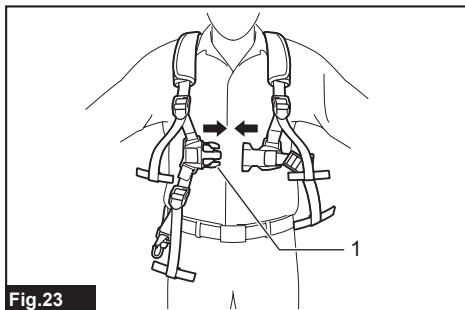


Fig.23

► 1. Hebilla

NOTA: Cuando retire el arnés para hombro, destrabe la hebilla y retire el arnés para hombro.

- Ajuste el arnés para hombro en una posición cómoda para trabajar.

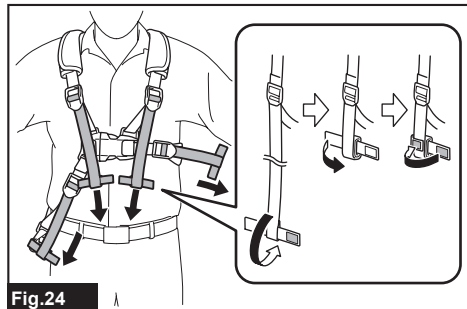


Fig.24

- Abroche el gancho en el arnés para hombro en el colgador de la herramienta.

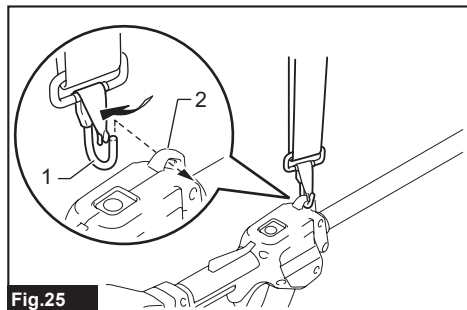


Fig.25

- 1. Gancho 2. Colgador

El arnés para hombro cuenta con un medio de liberación rápida. Simplemente apriete los lados de la hebilla y esto liberará el arnés para hombro.

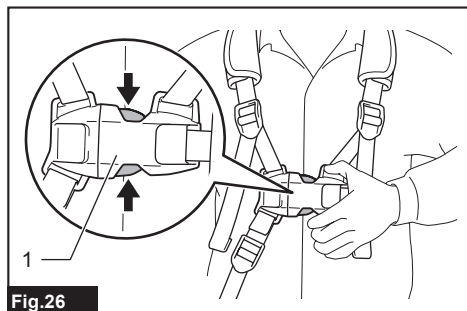


Fig.26

- 1. Hebilla

Operación con la herramienta

PRECAUCIÓN: Mantenga todas las partes del cuerpo alejadas de la cadena de la sierra cuando el motor esté funcionando.

PRECAUCIÓN: Sostenga la herramienta firmemente con ambas manos cuando el motor esté en marcha.

PRECAUCIÓN: No utilice la herramienta donde no alcance. Pise firmemente y mantenga el equilibrio en todo momento.

PRECAUCIÓN: cuando corte ramas, tenga cuidado de no perder el equilibrio debido al peso del cabezal de la herramienta.

PRECAUCIÓN: Mantenga siempre una ruta de escape en caso de que caiga una rama cortada en dirección del operador.

PRECAUCIÓN: Nunca use la punta de la barra de guía para cortar. De lo contrario, podría ocurrir un retroceso brusco y peligroso, que podrían resultar en una lesión personal.

AVISO: Nunca tire ni deje caer la herramienta.

AVISO: No cubra las rejillas de ventilación de la herramienta.

AVISO: No fuerce la herramienta. De lo contrario, esto podría dañar la herramienta.

Párese sobre una superficie estable, y sostenga la herramienta lejos de las ramas, de manera que el ángulo de la herramienta sea de 60° o menos en comparación con el suelo horizontal.

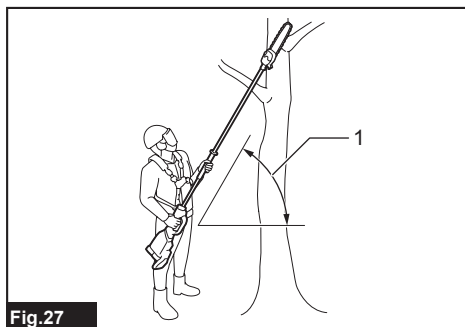


Fig.27

- 1. 60° o menos

Arranque la herramienta, luego presione la cadena de la sierra contra la rama ligeramente.

Al cortar ramas largas, para controlar la posición de caída de las ramas cortadas, divida la rama en secciones y corte la rama desde la punta. Preste atención a las ramas que caen, ya que pueden rebotar en la dirección del operador después de golpear el suelo.

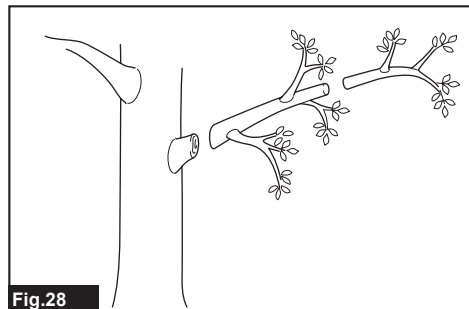


Fig.28

Al cortar ramas gruesas, primero haga un corte superficial en la parte inferior de la rama y luego termine el corte por la parte superior.

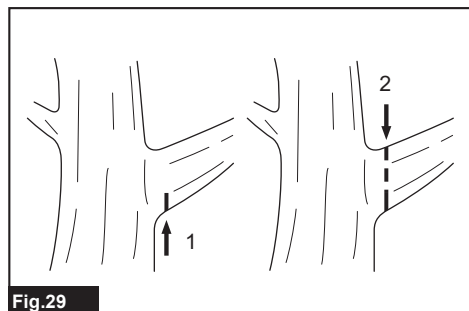


Fig.29

Si intenta cortar ramas gruesas desde su lado inferior, puede que la rama se doble hacia adentro atrapando la cadena de la sierra en el corte. Si intenta cortar ramas gruesas desde el lado superior sin un corte superficial en el lado inferior, puede que la rama se desgarre.

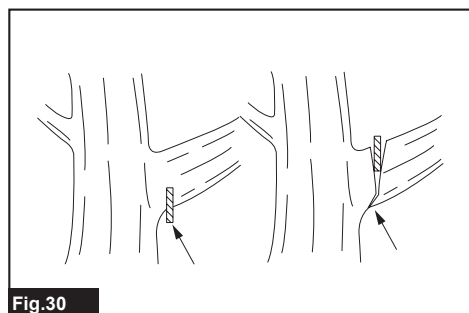


Fig.30

Transporte de la herramienta

Antes de transportar la herramienta, extraiga siempre los cartuchos de batería de la herramienta, y luego coloque la cubierta de la barra de guía. Asimismo, cubra el cartucho de batería con la cubierta de la batería.

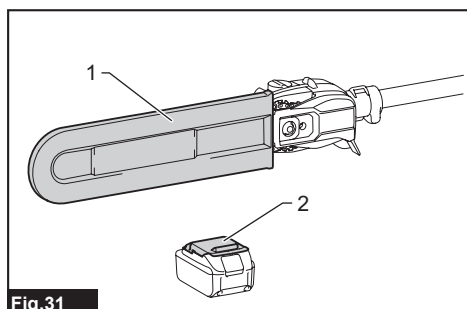


Fig.31

► 1. Cubierta de la barra de guía 2. Cubierta de la batería

Uso de la herramienta con la unidad portátil de alimentación eléctrica

Accesorio opcional

Use la banda para colgado cuando use la herramienta con la unidad portátil de alimentación eléctrica.

Acoplamiento de la banda para colgado

1. Acople los ganchos de la banda para colgado a los anillos del arnés para hombros o del cinturón, tal y como se ilustra en la figura. Seleccione el tipo de banda y el método de conexión apropiado para su uso.

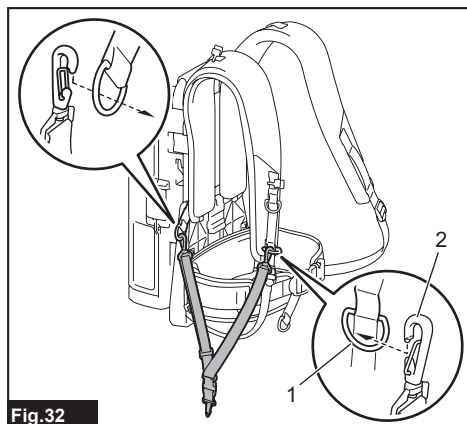


Fig.32

► 1. Anillo 2. Gancho

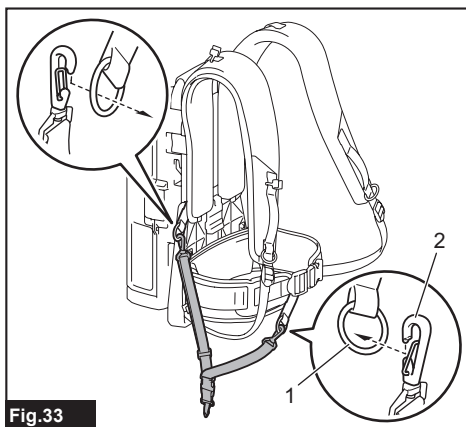


Fig.33

► 1. Anillo 2. Gancho

2. Acople el gancho a la herramienta.

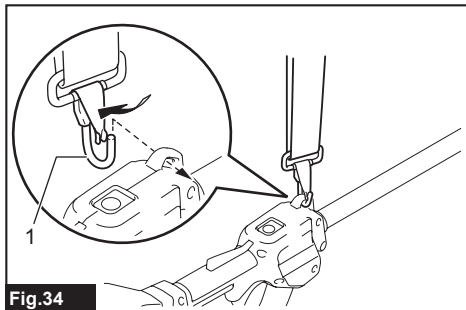


Fig.34

► 1. Gancho

Desacople de la herramienta

Al dejar la herramienta sobre el suelo, destrabe la hebilla de la banda para colgado con una mano, mientras sostiene la herramienta con la otra mano.

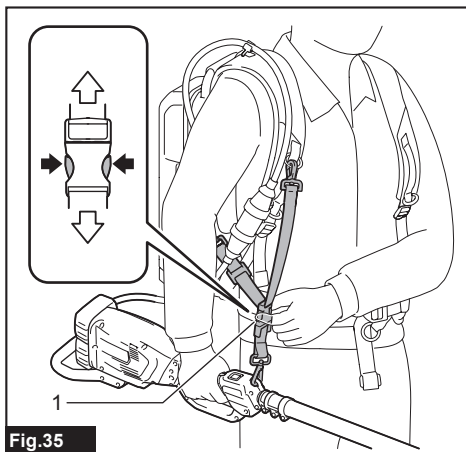


Fig.35

► 1. Hebilla

NOTA: La hebilla no se suministra, dependiendo del tipo de banda.

Si necesita soltar la herramienta rápidamente, siga los pasos a continuación.

1. Oprima las lengüetas en la hebilla del cinturón para desbloquearla.

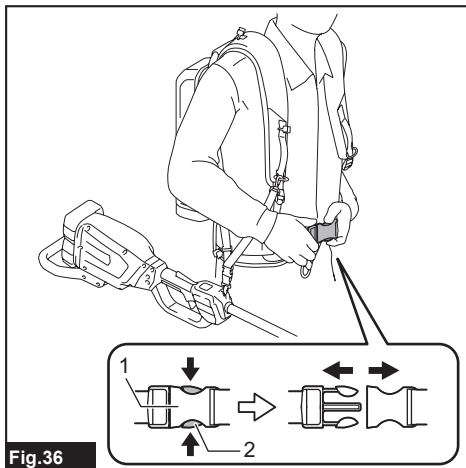


Fig.36

► 1. Hebilla 2. Lengüeta

2. Qúitese el arnés para hombros para liberar la herramienta y la unidad.

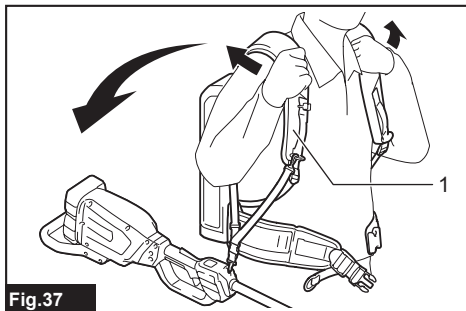


Fig.37

► 1. Arnés para hombros

MANTENIMIENTO

⚠PRECAUCIÓN: Asegúrese siempre de que la herramienta esté apagada y el cartucho de batería extraído antes de intentar realizar una inspección o mantenimiento.

⚠PRECAUCIÓN: Siempre use guantes cuando realice cualquier trabajo de inspección o mantenimiento.

⚠AVISO: Nunca use gasolina, bencina, diluyente (tíner), alcohol o sustancias similares. Puede que esto ocasione grietas o decoloramiento.

Para mantener la SEGURIDAD y FIABILIDAD del producto, las reparaciones, y cualquier otra tarea de mantenimiento o ajuste deberán ser realizadas en centros de servicio autorizados o de fábrica Makita, empleando siempre repuestos Makita.

Afilado de la cadena de la sierra

Afile la cadena de la sierra cuando:

- Se produzca aserrín con consistencia harinosa al cortar madera húmeda;
- La sierra penetre la madera con dificultad, incluso al aplicar una gran presión;
- El borde de corte esté evidentemente dañado;
- La sierra se desvíe hacia la izquierda o la derecha en la madera. (a causa de un afilado no uniforme de la cadena de la sierra o daño en sólo uno de los lados)

Afile la cadena de la sierra con frecuencia pero sólo un poco cada vez. Por lo general sólo dos o tres pasadas con una lima son suficientes para un reafilado de rutina. Cuando la cadena de la sierra haya sido reafilada varias veces, llévala a afilar a nuestro centro de servicio autorizado.

Criterios de afilado:

⚠ ADVERTENCIA: Una distancia excesiva entre el borde de corte y el calibrador de profundidad aumenta el riesgo de un retroceso brusco.

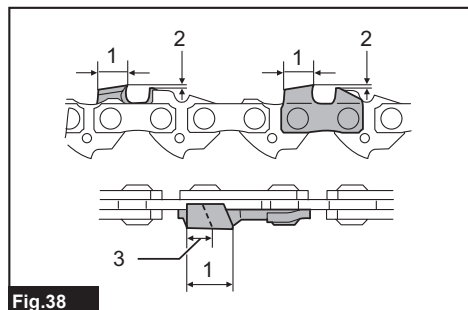


Fig.38

- 1. Longitud de la parte cortadora 2. Distancia entre el borde de corte y el calibrador de profundidad 3. Longitud mínima de la parte cortadora (3 mm (1/8"))

- Todas las partes cortadoras deberán tener la misma longitud. El que las partes cortadoras tengan diferentes longitudes impide que la cadena de la sierra se accione fácilmente y puede ocasionar que ésta se rompa.
- No afile la cadena cuando la longitud de la parte cortadora haya alcanzado 3 mm (1/8") o menos. La cadena deberá ser reemplazada con una nueva.
- El grosor de las virutas es determinado por la distancia entre el calibrador de profundidad (nariz redonda) y el borde de corte.
- Los mejores resultados de corte se obtienen con la distancia siguiente entre el borde de corte y el calibrador de profundidad.
 - Cuchilla de la cadena 90PX: 0,65 mm (1/32")
 - Cuchilla de la cadena 91PX: 0,65 mm (1/32")

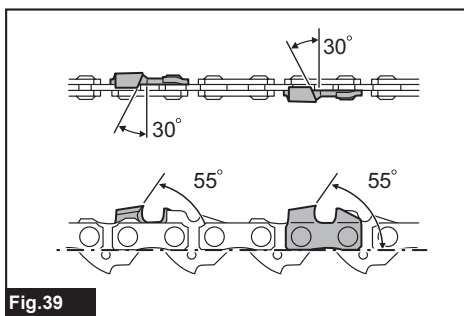


Fig.39

- El ángulo de afilado de 30° deberá ser el mismo en todas las partes cortadoras. Las diferencias de ángulos en las partes cortadoras causan que la cadena corra de forma brusca e irregular, acelera el desgaste y provocan la rotura de la cadena.
- Utilice una lima redonda adecuada de manera que el ángulo de afilado correcto se mantenga contra el diente.
 - Cuchilla de la cadena 90PX: 55°
 - Cuchilla de la cadena 91PX: 55°

Lima y guiado del limado

- Use una lima redonda especial (accesorio opcional) para cadenas de la sierra para afilar la cadena. Las limas redondas comunes no son apropiadas.
- El diámetro de la lima redonda para cada cadena de la sierra es:
 - Cuchilla de la cadena 90PX: 4,5 mm (3/16")
 - Cuchilla de la cadena 91PX: 4,0 mm (5/32")
- La lima sólo deberá embonar en la parte cortadora en la pasada hacia adelante. Levante la lima para alejarla de la parte cortadora en la pasada de regreso.
- Afile la parte cortadora más pequeña primero. Después la longitud de esta parte más pequeña se volverá el estándar para todas las demás partes cortadoras en la cadena de la sierra.
- Guíe la lima tal como se muestra en la ilustración.

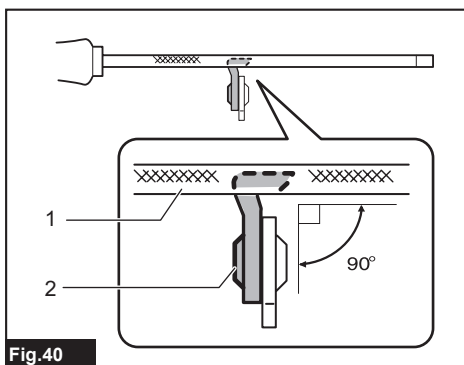


Fig.40

- 1. Lima 2. Cadena de la sierra

- La lima puede guiarse más fácilmente si se emplea un sujetador de limas (accesorio opcional). El sujetador de limas cuenta con marcas para el ángulo de afilado correcto de 30° (alinee las marcas paralelas a la cadena de la sierra) y limita la profundidad de penetración (a 4/5 del diámetro de la lima).

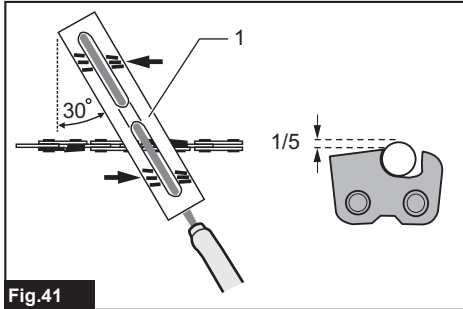


Fig.41

- ▶ 1. Sujetador de limas

- Tras el afilado de la cadena, verifique la altura del calibrador de profundidad usando la herramienta de calibración de la cadena (accesorio opcional).

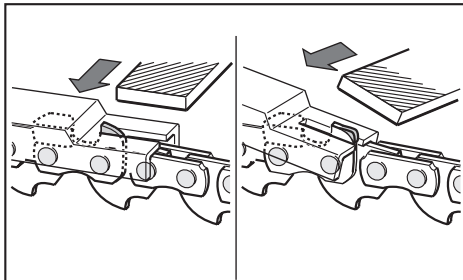


Fig.42

- Elimine cualquier material protuberante, independiente de cuán pequeño sea, con una lima plana especial (accesorio opcional).
- Redondee la parte delantera del calibrador de profundidad de nuevo.

Limpieza de la barra de guía

En la ranura de la barra de guía se acumularán astillas y aserrín. Éstas pueden obstruir la ranura de la barra y afectar el flujo de aceite. Limpie las astillas y el aserrín cada vez que afile o reemplace la cadena de la sierra.

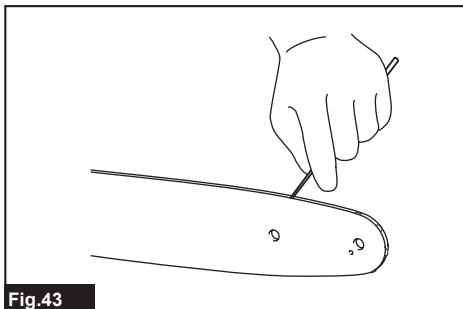


Fig.43

Limpieza de la cubierta de la pieza dentada

En el interior de la cubierta de la pieza dentada se acumularán astillas y aserrín. Retire la cubierta de la pieza dentada y la cadena de la sierra de la herramienta y luego limpie las astillas y el aserrín.

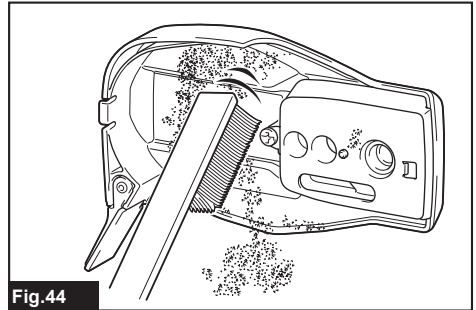


Fig.44

Limpieza del orificio de descarga de aceite

En el orificio de descarga de aceite se pueden acumular polvo y pequeñas partículas durante la operación. Este polvo o partículas pueden afectar el flujo de aceite y causar una lubricación insuficiente en toda la cadena de la sierra. Cuando haya un suministro deficiente de aceite en la parte superior de la barra de guía, limpie el orificio de descarga de aceite como se indica a continuación.

1. Retire la cubierta de la pieza dentada y la cadena de la sierra de la herramienta.
2. Elimine polvo y partículas de tamaño pequeño usando un destornillador plano o similar.

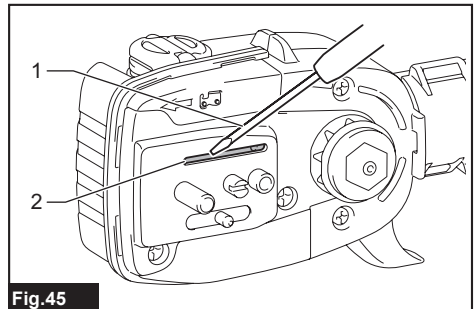


Fig.45

- ▶ 1. Destornillador plano 2. Orificio de descarga de aceite

3. Inserte el cartucho de batería en la herramienta. Jale el gatillo interruptor para eliminar la acumulación de polvo o partículas del orificio de descarga de aceite descargando el aceite de la cadena.

4. Retire el cartucho de batería de la herramienta. Reinstale la cubierta de la pieza dentada y la cadena de la sierra en la herramienta.

Reemplazo de la pieza dentada

⚠ PRECAUCIÓN: Una pieza dentada desgastada dañará una cadena nueva de la sierra. En este caso, reemplace la pieza dentada.

Antes de instalar una nueva cadena de la sierra, verifique la condición de la pieza dentada. Si la pieza dentada se daña o se desgasta, solicite el reemplazo a los centros de servicio autorizado de Makita.

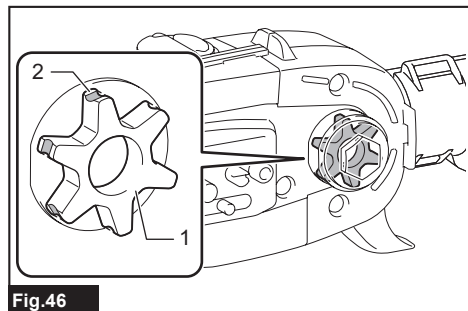


Fig.46

► 1. Pieza dentada 2. Áreas a desgastarse

Almacenamiento de la herramienta

1. Limpie la herramienta antes de almacenarla. Retire cualquier astilla y aserrín de la herramienta después de quitar la cubierta de la pieza dentada.
2. Después de limpiar la herramienta, hágala funcionar sin carga para lubricar la cadena de la sierra y la barra de guía.
3. Cubra la barra de guía con la cubierta de la barra de guía.
4. Vacíe el tanque de aceite.

Instrucciones para el mantenimiento periódico

Para asegurar una vida útil prolongada, prevenga el daño y asegure un funcionamiento total de las funciones de seguridad, efectuando el siguiente programa de mantenimiento de forma periódica. Las reclamaciones de garantía podrán ser reconocidas solamente si este programa de mantenimiento es realizado periódicamente y como corresponde. ¡El no seguir el programa de mantenimiento indicado puede provocar accidentes! El usuario de la herramienta no deberá realizar ningún trabajo de mantenimiento que no esté descrito en el manual de instrucciones. Todo este tipo de trabajo deberá ser realizado por nuestro centro de servicio autorizado.

Elemento a revisar / Tiempo de operación		Antes de la operación	Diariamente	Semanalmente	Cada 3 meses	Anualmente	Antes del almacenamiento
Herramienta completa	Inspección.	✓	-	-	-	-	-
	Limpieza.	-	✓	-	-	-	-
	Inspección en el centro de servicio autorizado.	-	-	-	-	✓	✓
Cadena de la sierra	Inspección.	✓	-	-	-	-	-
	Afilamiento en caso necesario.	-	-	-	-	-	✓
Barra de guía	Inspección.	✓	✓	-	-	-	-
	Retirar de la herramienta.	-	-	-	-	-	✓
Lubricación de la cadena	Revisar el caudal de alimentación de aceite.	✓	-	-	-	-	-
Gatillo interruptor	Inspección.	✓	-	-	-	-	-
Palanca de desbloqueo	Inspección.	✓	-	-	-	-	-
Tapa del tanque de aceite	Revisar que esté bien apretado.	✓	-	-	-	-	-
Tornillos y tuercas	Inspección.	-	-	✓	-	-	-

RESOLUCIÓN DE PROBLEMAS

Antes de solicitar alguna reparación, primero realice una inspección por su cuenta. Si detecta algún problema que no esté explicado en el manual, no intente desensamblar la herramienta. En vez de esto, solicite la reparación a un centro de servicio autorizado de Makita, usando siempre piezas de repuesto Makita.

Estado de la avería	Causa	Solución
La herramienta no arranca.	El cartucho de batería no está instalado.	Instale un cartucho de batería cargado.
	Problema con la batería (bajo voltaje).	Recargue los cartuchos de batería. Si la recarga no resulta eficaz, reemplace el cartucho de batería.
	El interruptor de alimentación principal está apagado.	La herramienta se apagará automáticamente si ésta no es operada durante un período determinado. Encienda el interruptor de alimentación principal nuevamente.
El motor deja de funcionar al poco tiempo de uso.	El nivel de carga de la batería es bajo.	Recargue los cartuchos de batería. Si la recarga no resulta eficaz, reemplace el cartucho de batería.
La cadena no tiene aceite.	El tanque de aceite está vacío.	Llene el tanque de aceite.
	La ranura de la guía de aceite está sucia.	Limpie la ranura.
	Suministro de aceite deficiente.	Ajuste la cantidad de suministro de aceite con el tornillo de ajuste.
La herramienta no alcanza el nivel máximo de RPM.	El cartucho de batería está instalado incorrectamente.	Instale los cartuchos de batería tal como se describe en este manual.
	La potencia de la batería está disminuyendo.	Recargue el cartucho de batería. Si la recarga no resulta eficaz, reemplace el cartucho de batería.
	El sistema de accionamiento no funciona correctamente.	Solicite la reparación en el centro de servicio autorizado de su región.
La lámpara de alimentación principal está parpadeando en verde.	El gatillo interruptor es jalado bajo una condición inoperable.	Jale el gatillo interruptor una vez que el interruptor de alimentación principal se haya encendido.
Vibración anormal: ¡Detenga la herramienta inmediatamente!	La barra de guía o la cadena de la sierra están sueltas.	Ajuste la barra de guía o la tensión de la cadena de la sierra.
	Avería de la herramienta.	Solicite la reparación en el centro de servicio autorizado de su región.
El modo Aumento de torsión no está disponible después de reemplazar el cartucho de batería con uno completamente cargado.	Dependiendo de las condiciones de uso, el modo Aumento de torsión no está disponible después de reemplazar el cartucho de batería.	Utilice la herramienta en el modo normal hasta que el cartucho de batería instalado se agote y luego reemplace el cartucho de batería con uno completamente cargado, o recargue el cartucho de batería.
La cadena de la sierra no puede instalarse.	La combinación de cadena de la sierra y la pieza dentada no es correcta.	Utilice la combinación correcta de cadena de la sierra y la pieza dentada; consulte la sección de especificaciones.

ACCESORIOS OPCIONALES

⚠PRECAUCIÓN: Estos accesorios o aditamentos están recomendados para utilizarse con su herramienta Makita especificada en este manual. El empleo de cualquier otro accesorio o aditamento puede conllevar el riesgo de lesiones personales. Utilice los accesorios o aditamentos solamente para su fin establecido.

Si necesita cualquier ayuda para más detalles en relación con estos accesorios, pregunte a su centro de servicio local Makita.

- Cadena de la sierra
- Barra de guía
- Cubierta de la barra de guía

- Aditamento en ángulo
- Lima
- Batería y cargador originales de Makita

⚠ADVERTENCIA: Si usted adquiere una barra de guía de una longitud distinta a la de la barra de guía estándar, también adquiere junto con ésta una cubierta de la barra de guía adecuada. Ésta debe quedarle y cubrir completamente la barra de guía en la herramienta.

NOTA: Algunos de los artículos en la lista pueden incluirse en el paquete de la herramienta como accesorios estándar. Éstos pueden variar de país a país.

GARANTÍA LIMITADA DE MAKITA

Ésta Garantía no aplica para México

Consulte la hoja de la garantía anexa para ver los términos más vigentes de la garantía aplicable a este producto. En caso de no disponer de esta hoja de garantía anexa, consulte los detalles sobre la garantía descritos en el sitio web de su país respectivo indicado a continuación.

Estados Unidos de América: www.makitatools.com

Canadá: www.makita.ca

Otros países: www.makita.com

< USA only >

WARNING

Some dust created by power sanding, sawing, grinding, drilling, and other construction activities contains chemicals known to the State of California to cause cancer, birth defects or other reproductive harm. Some examples of these chemicals are:

- lead from lead-based paints,
- crystalline silica from bricks and cement and other masonry products, and
- arsenic and chromium from chemically-treated lumber.

Your risk from these exposures varies, depending on how often you do this type of work. To reduce your exposure to these chemicals: work in a well ventilated area, and work with approved safety equipment, such as those dust masks that are specially designed to filter out microscopic particles.

< Sólo en los Estados Unidos >

ADVERTENCIA

Algunos polvos creados por el lijado, aserrado, esmerilado, taladrado y otras actividades de la construcción contienen sustancias químicas reconocidas por el Estado de California como causantes de cáncer, defectos de nacimiento y otros peligros de reproducción. Algunos ejemplos de estos productos químicos son:

- plomo de pinturas a base de plomo,
- sílice cristalino de ladrillos y cemento y otros productos de albañilería, y
- arsénico y cromo de maderas tratadas químicamente.

El riesgo al que se expone varía, dependiendo de la frecuencia con la que realice este tipo de trabajo. Para reducir la exposición a estos productos químicos: trabaje en un área bien ventilada y póngase el equipo de seguridad indicado, tal como las máscaras contra polvo que están especialmente diseñadas para filtrar partículas microscópicas.

Makita Corporation

3-11-8, Sumiyoshi-cho,
Anjo, Aichi 446-8502 Japan

www.makita.com

885797B884
DUA300-3
EN, FRCA, ESMX
20220516